

LANAFORM

H-200C



EN ENGLISH SMART AIR HUMIDIFIER

FR FRANÇAIS HUMIDIFICATEUR D'AIR CONNECTÉ

NL NEDERLANDS GECONNECTEERDE LUCHTBEVOCHTIGER

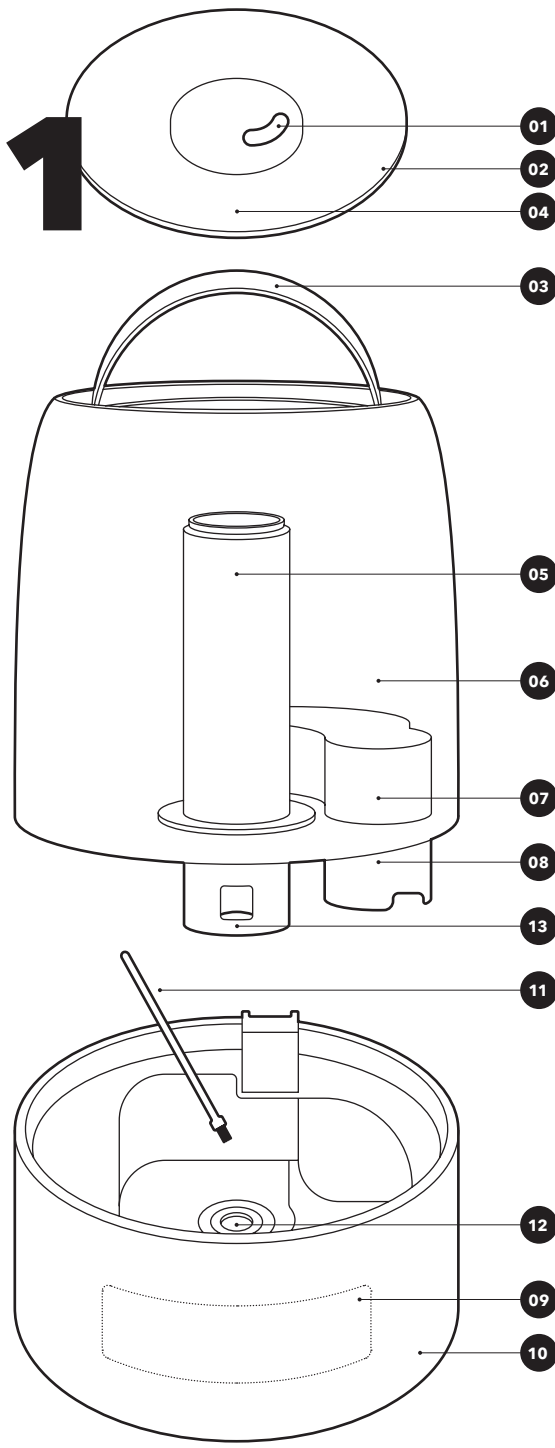
DE DEUTSCH SMART HOME-LUFTBEFEUCHTER

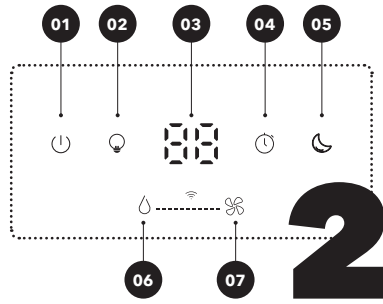
CS ČEŠTINA ZVLHČOVAČ VZDUCHU S PŘIPOJENÍM

SL SLOVENŠČINA PRIKLJUČEN VLAŽILNIK ZRAKA

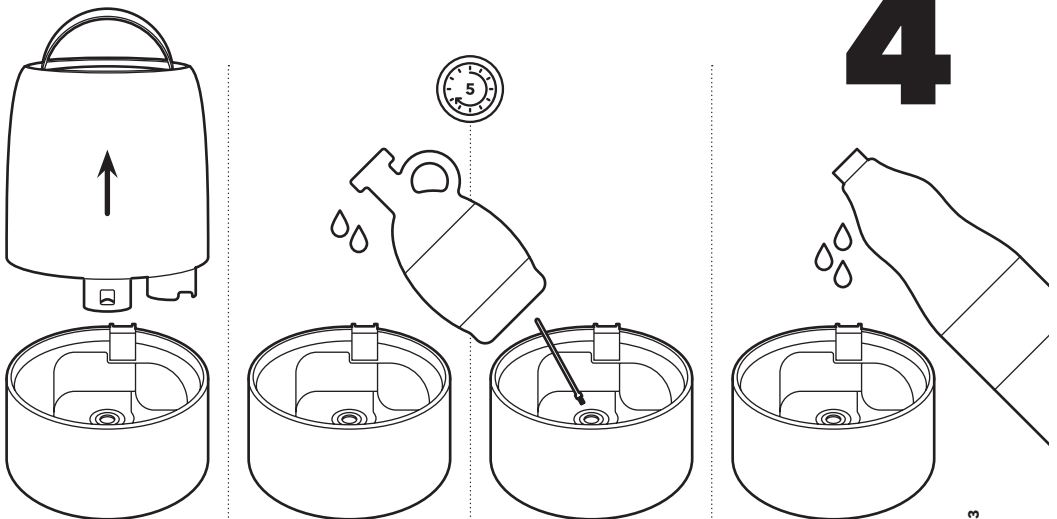
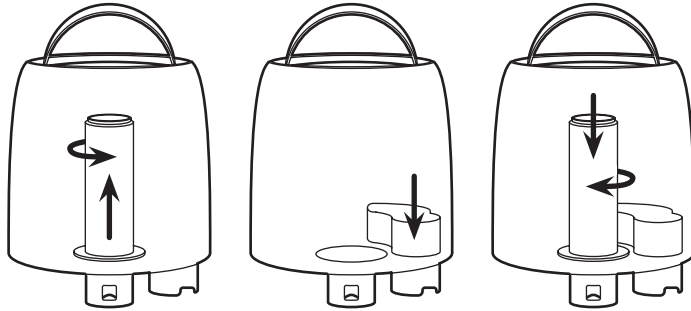
BG БЪЛГАРСКИ МРЕЖОВ ОВЛАЖНИТЕЛ ЗА ВЪЗДУХ

SV SVENSKA UPPKOPPLAD LUFTFUKTARE





3



Contents of the packaging

- 1 H-200c humidifier
- 1 anti-bacterial filter
- 1 instruction manual

Precautions for use

⚠ Please read all the instructions before using your product, in particular these few fundamental safety instructions.

📷 The photographs and other product images in these instructions and on the packaging are as accurate as possible but do not claim to be a perfect reproduction of the product.

⚠ Warning

Only use this device in accordance with the instructions given in this manual. The humidifier is designed for indoor and domestic use only. This device can be used by children aged 8 years and over and by people with reduced physical, sensory or mental capacities, or lack of experience and knowledge, providing they are supervised or have been instructed on the safe use of the device and understand the risks involved. **Children must not be**

allowed to play with the device. Cleaning and maintenance by the user must not be performed by children without supervision. Children must not play with the device. Check that your mains voltage is the same as that of your appliance. Do not use accessories that are not recommended by Lanaform or that are not supplied with this device. Do not dismantle the device in its entirety or even its base unit. Never allow anything to fall into and never insert any object into any of the openings. Do not use this device if the plug is damaged, if the device is not working properly, has been dropped on the floor, if it is damaged or if it has fallen into water. Have the device examined and repaired by the supplier or their after-sales department. If the power cable is damaged, it must be replaced by a similar one available from the supplier or its after-sales department. Never use this device in a room in which aerosols (sprays) are used or in a room in which oxygen is administered. If a device falls into water

unplug it immediately, before retrieving it. **Keep** the power cable away from hot surfaces. **Do not** switch on the device when there is no water in the reservoir. **Do not** use the humidifier if the reservoir is damaged or cracked. **Unplug** the power cord when the product is not in use for a long period of time or when no one is at home. **An** electrical device must never be left plugged in and unattended. **Unplug** it whenever you are not using it. **Do not** connect or disconnect the power plug of the device with wet hands. **Do not** put items of clothing or towels on top of the device. **If** the nozzle is obstructed, this may cause the device to malfunction. **Avoid** placing the humidifier in a place where the diffuser sprinkler tip directs the vapour directly to a person or object. **Do not** use the humidifier if the room air is already humid enough (at least 50% relative humidity). **The** ideal relative humidity level for human comfort is between 45% and 55%. **Excess** moisture manifests as condensation on cold surfaces or cold walls in the room. **To** correctly determine the level of humidity in the

room, use a hygrometer available in most specialty stores and in superstores. **Pay** attention to the fact that high levels of humidity can encourage the growth of biological organisms in nature. **Do not** carry this device by its power cable and do not use the cable as a handle. **When** moving the device, lift it up by the base and not by the water reservoir. **Always** place the humidifier on a hard, flat, horizontal surface. **Keep** it away from walls and heat sources such as stoves, radiators, etc. **Caution:** If it is not placed on a horizontal surface, the device may not work properly. **Do not** leave the device exposed to direct sunlight. **Fill** the reservoir with clean, fresh, distilled or demineralised water. **Do not** shake the device. **This** could cause the water to overflow into the base unit and affect its operation. **Never** touch water and components while the unit is running. **Do not** remove the reservoir while the humidifier is running. **Do not** drink water directly from the reservoir or inhale the vapour emitted by the humidifier. **If** an abnormal smell occurs during use as described in this manual, turn

the device off, unplug it and have it examined by the supplier or its after-sales department. **Do not** allow the area around the humidifier to become humid or wet. In case of excessive humidity, reduce the vapour intensity. If this cannot be decreased, use the humidifier intermittently. **Do not** let absorbent materials such as carpet, curtains, wall coverings or tablecloths, become damp. **Do not** pour hot water above 40°C into the reservoir. **Unplug** the device after use, before cleaning it or removing the reservoir. **Do not** wash the entire unit with water and do not immerse it. **Consult** the cleaning instructions in these instructions for use. **Never** scrape the transducer with a hard tool. **The** humidifier should be cleaned regularly. **To** do this, refer to the cleaning instructions in this manual and follow them. **Do not** use essential oils that are not recommended for diffusion. **To** do this, consult the instructions for using the essential oils in these instructions for use. **Do not** use perfumes or synthetic essences as this may damage the device.

Presentation

Thank you for choosing Lanaform's H-200C smart humidifier. The humidifier helps you restore a proper humidity level and eliminate the discomfort associated with dry air. The ventilation system diffuses water in the form of cool vapour and thus provides the desired level of humidity. This vapour takes the form of a mist coming out of a diffusion sprinkler tip.

Lanaform Connect app

You can connect the air humidifier to your smartphone via Wi-Fi. To do this, you only need to download the free **Lanaform Connect** app. The **Lanaform Connect** app is available on the App Store (iOS) and on Google Play (Android™).

The **Lanaform Connect** app offers the following functions:

- Control and display the relative humidity level in the air.
- Control vapour emission intensity
- Control duration of use
- Atmospheric light control
- Night mode control
- Water level display

Required configuration: iOS ≥ 11.0, Android™ ≥ 5.0, Bluetooth® ≥ 4.0, 2.4Ghz Wi-Fi.

ⓘ Note

You can also use the same basic functions of the air humidifier without the **Lanaform Connect** app.

Connect the air humidifier to the Lanaform Connect app

- 01** Follow the instructions in the chapter. "Preparation before use".
- 02** Connect the plug to the mains. Position the power cable so that nobody trips over it.
- 03** To switch on the air humidifier, press the On/Off button.

📌 Note

The Wi-Fi symbol flashes quickly (📶). If not, “reset” the device by pressing the “atmospheric light” button for several seconds.

- Make sure your smartphone is connected to a Wi-Fi network.
- Download the free Lanaform Connect app from the App Store (iOS) or from Google Play (Android™).
- Launch the Lanaform Connect app and follow the instructions.
- Click Connect a New Device or press the + button at the top of the screen. Follow the on-screen instructions to connect the air humidifier to your network.

📌 Note

Depending on the smartphone settings, internet connection or data transmission may result in additional costs.

This instruction is only valid when the air humidifier is set up for the first time.

Description

The device 📌 1

- 01 Diffuser sprinkler tip
- 02 Water reservoir cover
- 03 Carrying handle
- 04 Atmospheric light
- 05 Vapour chimney
- 06 Water reservoir
- 07 Antibacterial filter
- 08 Water reservoir cap
- 09 Control panel and display screen
- 10 Base of the device
- 11 Cleaning brush
- 12 Ultrasonic disk
- 13 Vapour chimney nozzle

Display panel 📌 2

- 01 On/Off button
- 02 Atmospheric light button

- 03 Humidity level/timer display
- 04 Timer button
- 05 Night mode button
- 06 Humidity level button
- 07 Emission intensity button

Preparation before use

- 01 Place the humidifier in the room half an hour before turning it on so that it can adjust to the room temperature.
- 02 Ensure that it is always placed on a hard, flat and horizontal surface. Keep it away from walls and heat sources such as stoves, radiators, etc.
- 03 Make sure the device is clean before starting to use it.
- 04 Filter placement 📌 3
The humidifier has an antibacterial filter. To place it, first remove the reservoir cover and the vapour emission chimney by turning it counterclockwise. Then firmly insert the filter cartridge into its notch. Then replace the vapour emission chimney on the reservoir by turning the chimney clockwise.
- 05 To fill the water reservoir:
 - Make sure the humidifier is disconnected.
 - Remove the water reservoir cover and fill the reservoir with clean, fresh, distilled or demineralised water or
 - Remove the water reservoir and its cover from the base and fill it with water before replacing it on the base, ensuring that the markings on the base and reservoir correspond.

Note: When filling, ensure that the water does not go into the vapour chimney to ensure that the water is injected directly from the reservoir into the base of the device.

Instructions

Starting the device

Connect the device. Press the "On/Off" button for the first time to turn on the device. The humidifier indicates relative humidity and operates at the second level of intensity. The atmospheric light is off. Press the On/Off button a second time to switch the device off.

Atmospheric light

Press the "Atmospheric light" button for the first time and it will circulate through the 7 colours automatically. Press the same button successively to choose a fixed colour and then turn it off.

Timer adjustment

Press the "Timer" button to adjust the humidifier's operating time. It is possible to select from 1 hour to 12 hours of operation or the continuous mode (Co). Once the time has been selected, it will be displayed for 3 seconds on the display.

Night mode

Press the "Night mode" button for the first time. The indication 5P is displayed and after 5 seconds, the night mode is activated. The vapour intensity is at the lowest level, the ambient lights are off and the indicator lights on the display and control screen are off. Press a second time to exit "night" mode.

Humidity level setting

You can set the desired humidity level between 40% & 75%. To do this, press the "humidity level" button. The value is displayed while you select the level. After a few seconds, the display will show the current humidity level again. If the actual humidity level is higher than that selected, the humidifier will stop emitting vapour and the fan will continue to operate.

When the humidity level is below 5% of the selected level, the humidifier will run again.

Vapour intensities

It is possible to select three vapour intensities (low-medium-high). To do this, press the "emission intensity" button successively.

Filter replacement

The filter has a duration of use of one year. To replace it, follow the instructions described in section 4 of preparation of the humidifier before use.

Note: When the filter is installed in the water reservoir and the machine is switched on for the first time, the vapour intensity will be very low during the first half hour, after which it will return to normal. During first use, the water generates a lot of air bubbles when it passes through the zeolite inside the filter. After half an hour, there are much fewer air bubbles and the intensity of the vapour returns to normal.

If you do not use the humidifier for a long period of time, 30 minutes will also be required for the vapour emission level to return to normal.

Note: When there is no water left in the reservoir, the red light on the On/Off button flashes and the display shows the code E1. Refill the reservoir.

If the reservoir is not placed on the base, the humidifier beeps 3 times, the red light on the On/Off button is displayed and the display indicates the code E2.

Use of essential oils

For the diffusion of organic essential oils into the room, pour a few drops of organic essential oils (maximum 3-4) directly into the water and then replace the reservoir cover.

⚠ Warning

Additional information on the use of essential oils:

- Before using the essential oils, please check the harmful effects that use of these products may have on your health.
- Always choose quality essential oils: pure and 100% natural and intended for diffusion. Use them with moderation and care. Follow the instructions and warnings indicated on the packaging of the essential oils, in particular ensuring that:
 - Pregnant women and people with epilepsy, asthma or allergies, heart problems or serious conditions must not use essential oils.
 - Essential oils should only be used for periods not exceeding 10 minutes in a baby's room (- 3 years old) and only when the baby is not present in the room.
- Make sure that children and minors do not play with or use the device.
- Only a few drops (3 to 4 drops at most) of essential oils are sufficient to ensure the device works properly and the fragrance is diffused. Excessive use of essential oils could damage the device.
- Lanaform cannot be held liable in the event of accidental damage resulting from any use contrary to the instructions given in these instructions for use.

Cleaning

Maintenance

Always turn off the humidifier and empty the water contained in the reservoir before cleaning or storing it. To empty the water from the reservoir, make sure that water does not enter the chimney through the air exhaust vent.

If the water is hard, i.e. if it contains too much calcium and magnesium, it may leave a "white powder" in the device and cause frothing on the surface of the basin, on the transducer (ceramic pellets producing ultrasound) and on the internal walls of the water reservoir. Frothing

on the surface of the transducer means that the device will not work properly.

We recommend



- 01 Using boiled and cooled water or distilled water for each use,
- 02 Cleaning the reservoir every 3 days and cleaning the transducer every week,
- 03 Changing the water in the reservoir regularly so that it stays fresh, not leaving it there for more than 2 days,
- 04 Cleaning the entire device and making sure that all its parts are completely dry when it is not in use.

To clean the transducer 4

- 01 Remove the water reservoir.
- 02 Place 2 to 5 drops of vinegar on its surface and allow to stand for 2 to 5 minutes.
- 03 Brush the foam off the surface using the brush provided. Do not use a hard tool to scrape the surface.
- 04 Rinse the transducer with clean water.
- 05 Do not use soap or other alkaline substances to clean the transducer.

To clean the reservoir

- 01 Remove the reservoir cover. Then remove the vapour chimney and the vapour chimney inlet nozzle from the reservoir by turning these two elements counterclockwise.
- 02 Clean the basin with water using a soft cloth and vinegar if there are foam OR limescale deposits on the inside.
- 03 If the foam covers the safety switch, add a few drops of vinegar and clean it with a brush.
- 04 Rinse the basin in clean water.
- 05 Replace the chimney inlet nozzle, ensuring that the triangle marking corresponds to that of the reservoir and then turn the nozzle clockwise. Then replace the chimney on the water reservoir.

EN

9 - ENGLISH

Storage

01 Clean and dry the ultrasonic humidifier thoroughly, following the maintenance instructions.

02 Allow it to dry completely before storing. Do not store it while leaving water in the base.

03 Store the device in a dry, cool place out of reach of children.

Troubleshooting

Phenomena	Possible causes	Solutions
No vapour, no light showing.	If there is no light.	Check that the device is connected and that there is no mains fault.
	Reservoir is not properly installed	Check that the reservoir is correctly installed on the base
	Water leakage from the reservoir.	Check that the reservoir is in the right position.
	The temperature of the unit is too low.	Place the unit in a room at room temperature half an hour before use.
Vapour has an unusual smell.	The water has been standing in the reservoir for too long.	Clean the reservoir and pour clean and fresh, distilled or demineralised water into it.
Low intensity.	Too much/too little water in the reservoir.	Empty (add) the water from the reservoir.
	Sediment on the transducer.	Clean the transducer.
	The water is too cold.	Use room temperature water.
	Water is not clean.	Clean the reservoir and pour clean and fresh, distilled or demineralised water into it.
Red light on the power button	Water level is too low	Unplug the device and fill the reservoir.
Abnormally high noise level	Humidifier is not placed on a hard, flat surface	Be sure to place the humidifier on a hard, flat surface.

EN

Technical data

- Product reference: LA120126
- Power supply: AC 100-240V, 50-60 Hz
- Dimensions: 17x17x25.4 cm
- Weight: 1.34 kg



Advice regarding the disposal of waste

All the packaging is composed of materials that pose no hazard for the environment and which can be disposed of at your local sorting centre to be used as secondary raw materials. The cardboard may be disposed of in a paper recycling bin. The packaging film must be taken to your local sorting and recycling centre.

When you have finished using the device, please dispose of it in an environmentally friendly way and in accordance with the law.

Limited warranty

Lanaform guarantees this product against any material or manufacturing defect for a period of two years from the date of purchase, except in the circumstances described below.

The Lanaform guarantee does not cover damage caused as a result of normal wear to this product. In addition, the guarantee covering this Lanaform product does not cover damage caused by abusive or inappropriate or incorrect use, accidents, the use of unauthorized accessories, changes made to the product or any other circumstance, of whatever sort, that is outside Lanaform's control.

Lanaform may not be held liable for any type of circumstantial, indirect or specific damage.

All implicit guarantees relating to the suitability of the product are limited to a period of two years from the initial date of purchase as long as a copy of the proof of purchase can be supplied.

On receipt, Lanaform will repair or replace your appliance at its discretion and will return it to you. The guarantee is only valid through Lanaform's Service Centre. Any attempt to maintain this product by a person other than Lanaform's Service Centre will render this guarantee void.

EN

11 - ENGLISH

Contenu du packaging

- 1 Humidificateur H-200c
- 1 filtre antibactérien
- 1 manuel d'instruction

Mises en garde

⚠ Veuillez lire toutes les instructions avant d'utiliser votre produit, en particulier ces quelques consignes de sécurité fondamentales.

📷 Les photographies et autres représentations du produit dans le présent manuel et sur l'emballage se veulent les plus fidèles possibles mais peuvent ne pas assurer une similitude parfaite avec le produit.

⚠ Avertissement

N'utilisez cet appareil que dans le cadre du mode d'emploi décrit dans ce manuel. L'humidificateur est conçu pour un usage intérieur et domestique uniquement. Cet appareil peut être utilisé par des enfants âgés de 8 ans et plus et des personnes ayant des capacités physiques, sensorielles ou mentales réduites ou un manque d'expérience et de connaissances s'ils ont reçu une

supervision ou des instructions concernant l'utilisation de l'appareil en toute sécurité et comprennent les risques encourus. Les enfants ne doivent pas jouer avec l'appareil. Le nettoyage et l'entretien par l'utilisateur ne doivent pas être effectués par des enfants sans surveillance. Les enfants ne doivent pas jouer avec l'appareil. Vérifiez que la tension de votre réseau corresponde à celle de l'appareil. N'utilisez pas d'accessoires qui ne soient pas recommandés par Lanaform ou qui ne soient pas fournis avec cet appareil. Ne démontez ni l'appareil dans son intégralité, ni même son unité de base. Ne laissez jamais rien tomber ou n'insérez jamais aucun objet dans l'une des ouvertures. N'utilisez pas cet appareil si la prise de courant est endommagée, s'il ne fonctionne pas correctement, s'il est tombé sur le sol ou s'il est endommagé ou encore s'il est tombé dans l'eau. Faites alors examiner et réparer l'appareil auprès du fournisseur ou de son service après-vente. Si

le cordon d'alimentation est endommagé, il doit être remplacé par un cordon similaire disponible chez le fournisseur ou son service après-vente. **N'**utilisez jamais cet appareil dans une pièce où des produits aérosols (sprays) sont employés ou dans une pièce où de l'oxygène est administré. **Débranchez** immédiatement un appareil tombé dans l'eau avant de le récupérer. **Éloignez** le cordon électrique des surfaces chaudes. **N'**allumez pas l'appareil lorsqu'il n'y a pas d'eau dans le réservoir. **N'**utilisez pas l'humidificateur si le réservoir est endommagé ou fissuré. **Débranchez** le cordon d'alimentation quand le produit n'est pas utilisé pendant une longue période de temps ou lorsque personne ne se trouve à domicile. **Un** appareil électrique ne doit jamais rester branché sans surveillance. **Débranchez-le** lorsque vous ne l'utilisez pas. **Ne** branchez pas, ne débranchez pas la fiche électrique de l'appareil avec des mains mouillées. **Ne** placez pas de vêtements ou de serviettes sur le dessus de l'appareil. **Si** la buse est obstruée, cela

peut provoquer un dysfonctionnement de l'appareil. **Évitez** de placer l'humidificateur à un endroit où le bec du diffuseur dirige la vapeur directement vers une personne ou un objet. **N'**utilisez pas l'humidificateur si l'air de la pièce est déjà suffisamment humide (au moins 50% d'hygrométrie relative). **En** effet, le taux d'humidité relative idéal pour le confort des êtres humains se situe entre 45% et 55%. **Un** excès d'humidité se manifeste par de la condensation sur les surfaces froides ou les murs froids de la pièce. **Pour** déterminer correctement le taux d'humidité de la pièce, utilisez un hygromètre disponible dans la plupart des magasins spécialisés et en grandes surfaces. **Prêtez** attention au fait que des taux importants d'humidité peuvent encourager la croissance d'organismes biologiques dans la nature. **Ne** transportez pas cet appareil en le portant par son cordon électrique et n'utilisez pas ce cordon comme poignée. **Lors** du déplacement de l'appareil, soulevez-le par la base et non par le réservoir d'eau. **Placez** toujours l'humidificateur

sur une surface dure, plane et horizontale. **Eloignez-le** légèrement des murs et des sources de chaleur telles que les poêles, radiateurs, etc. **Attention** : S'il n'est pas placé sur une surface horizontale, il se peut que l'appareil ne puisse fonctionner correctement. **Ne** laissez pas l'appareil exposé directement aux rayons du soleil. **Remplissez** le réservoir avec de l'eau propre et fraîche, distillée ou déminéralisée. **Ne** secouez pas l'appareil. **Cela** pourrait faire déborder l'eau dans l'unité de base et affecter son fonctionnement. **Ne** touchez jamais l'eau et les composants lorsque l'unité fonctionne. **Ne** retirez pas le réservoir lorsque l'humidificateur fonctionne. **Ne** buvez pas directement l'eau du réservoir et n'inhaliez pas la vapeur émise par l'humidificateur. **Si** une odeur anormale survient en cours d'utilisation décrite dans le présent manuel, éteignez l'appareil, débranchez-le et faites-le examiner par le fournisseur ou son service après-vente. **Ne** laissez pas la zone autour de l'humidificateur devenir humide ou mouillée. **En** cas d'humidité

excessive, diminuez l'intensité de vapeur. **Si** celle-ci ne peut être diminuée, utilisez l'humidificateur par intermittence. **Ne** laissez pas les matériaux absorbants, tels que la moquette, les rideaux, les tentures ou nappes, devenir humides. **Ne** versez pas d'eau chaude dans le réservoir, c'est-à-dire avec une température supérieure à 40°C. **Débranchez** l'appareil après l'avoir utilisé, avant de le nettoyer ou d'enlever le réservoir. **Ne** lavez pas l'unité complète à l'eau et ne l'immergez pas, reportez-vous aux consignes de nettoyage du présent manuel. **Ne** grattez jamais le transducteur à l'aide d'un outil dur. **L'**humidificateur doit être nettoyé régulièrement. **Pour** ce faire, reportez-vous aux consignes de nettoyage du présent manuel et respectez-les. **N'**utilisez pas d'huiles essentielles dont l'usage en diffusion est déconseillé. **Pour** ce faire, reportez-vous aux conseils d'utilisation des huiles essentielles du présent manuel. **N'**utilisez pas de parfums ou essences de synthèse, cela pourrait endommager l'appareil.

Présentation

Nous vous remercions d'avoir choisi l'Humidificateur connecté H-200C de Lanaform. L'humidificateur vous aide à rétablir un taux d'hygrométrie adéquat et à éliminer les inconforts liés à un air sec. Le système de ventilation diffuse l'eau sous forme de vapeur froide et fournit ainsi le niveau d'humidité souhaité. Cette vapeur est caractérisée par un brouillard sortant du bec de diffusion.

Application Lanaform Connect

Vous pouvez connecter l'humidificateur d'air à votre smartphone par Wi-Fi. Pour cela, vous avez uniquement besoin de télécharger l'application gratuite **Lanaform Connect**. L'application **Lanaform Connect** est disponible sur l'App Store (IOS) et sur Google Play (Android™).

L'application **Lanaform Connect** propose les fonctions suivantes :

- Contrôle et affichage du taux d'humidité relatif dans l'air.
- Contrôle de l'intensité d'émission de vapeur
- Contrôle de la durée d'utilisation
- Contrôle de la lumière d'ambiance
- Contrôle du mode nuit
- Affichage du niveau d'eau

Configuration requise : iOS ≥ 11.0, Android™ ≥ 5.0, Bluetooth® ≥ 4.0, Wi-fi 2.4Ghz.

ⓘ Remarque

Vous pouvez également utiliser les mêmes fonctions de base de l'humidificateur d'air sans l'application **Lanaform Connect**.

Connecter l'humidificateur d'air à l'application Lanaform Connect

- 01 Suivez les instructions du chapitre. « Préparation avant utilisation ».

- 02 Branchez la prise sur le secteur. Placez le câble de manière à ne pas trébucher dessus.
- 03 Pour allumer l'humidificateur d'air, appuyez sur la touche On/Off.

ⓘ Remarque

Le symbole Wi-Fi clignote rapidement (📶). Si ce n'est pas le cas, procédez au « reset » de l'appareil en appuyant plusieurs secondes sur la touche « lumière d'ambiance ».

- Assurez-vous que votre smartphone est connecté au réseau Wi-Fi.
- Téléchargez l'application gratuite Lanaform Connect sur l'App Store (iOS) ou sur Google Play (Android™).
- Lancez l'application Lanaform Connect et suivez les instructions.
- Cliquez sur Connect a New Device (Connecter un nouvel appareil) ou appuyez sur le bouton + en haut de l'écran. Suivez les instructions à l'écran pour connecter l'humidificateur d'air à votre réseau.

ⓘ Remarque

Selon les paramètres du smartphone, la connexion Internet ou la transmission de données peut entraîner des coûts supplémentaires.

Cette instruction est valable uniquement lorsque l'humidificateur d'air est configuré pour la première fois.

Description

L'appareil 1

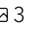
- 01 Bec diffuseur
- 02 Couvercle du réservoir d'eau
- 03 Poignée de transport
- 04 Lumière d'ambiance
- 05 Cheminée de vapeur
- 06 Réservoir d'eau
- 07 Filtre antibactérien
- 08 Bouchon du réservoir d'eau

- 09 Panneau de commande et écran d'affichage
- 10 Base de l'appareil
- 11 Brosse de nettoyage
- 12 Disque ultrasonique
- 13 Buse de cheminée de vapeur

Panneau d'affichage 2

- 01 Touche On/Off
- 02 Touche Lumière d'ambiance
- 03 Affichage taux humidité/timer
- 04 Touche timer
- 05 Touche mode nuit
- 06 Touche taux humidité
- 07 Touche intensité émission

Préparation avant utilisation

- 01 Placez l'humidificateur dans la pièce une demi-heure avant de l'allumer afin qu'il s'adapte à la température ambiante.
- 02 Veillez à ce qu'il soit toujours posé sur une surface dure, plane et horizontale. Eloignez-le légèrement des murs et des sources de chaleur telles que les poêles, radiateurs...
- 03 Assurez-vous de la propreté de l'appareil avant de commencer à l'utiliser.
- 04 Placement du filtre  3
L'humidificateur est muni d'un filtre antibactérien. Pour le placer, retirez tout d'abord le couvercle du réservoir ainsi que la cheminée d'émission de vapeur en tournant celle-ci dans le sens contraire des aiguilles d'une montre. Insérez ensuite fermement la cartouche du filtre dans son encoche. Remplacez ensuite la cheminée d'émission de vapeur au réservoir en tournant la cheminée dans le sens des aiguilles d'une montre.

- 05 Pour remplir le réservoir d'eau :
 - Assurez-vous que l'humidificateur est débranché.
 - Otez le couvercle du réservoir d'eau et remplissez le réservoir avec de l'eau propre et fraîche, distillée ou déminéralisée ou
 - Retirez le réservoir d'eau et son couvercle de la base et remplissez ce dernier d'eau avant de le replacer sur la base en veillant à ce que les marquages de la base et du réservoir correspondent.

Remarque : Assurez-vous, lors du remplissage, que l'eau ne s'insère pas dans la cheminée de vapeur afin de s'assurer que l'eau est injectée directement du réservoir dans la base de l'appareil.

Instructions

Démarrage de l'appareil

Branchez l'appareil. Appuyez une première fois sur la touche « On/Off » pour allumer l'appareil. L'humidificateur indique l'humidité relative et fonctionne selon le deuxième niveau d'intensité. La lumière d'ambiance est éteinte. Appuyez une seconde fois sur la touche On/Off pour éteindre l'appareil.

Lumière d'ambiance

Appuyez une première fois sur la touche « Lumière d'ambiance » et celle-ci circulera au travers des 7 couleurs de manière automatique. Appuyez successivement sur la même touche pour choisir une couleur fixe et enfin l'éteindre.

Réglage du timer

Appuyez sur la touche « Timer » pour régler la durée de fonctionnement de l'humidificateur. Il est possible de sélectionner de 1h à 12h de fonctionnement ou le mode continu (Co). Une fois la durée choisie, celle-ci s'affichera pendant 3 secondes sur le display.

Mode nuit

Appuyez une première fois sur la touche « Mode nuit ». L'indication 5P s'affiche et après 5 secondes le mode nuit est activé. L'intensité de vapeur est au niveau le plus faible, les lumières d'ambiance sont éteintes et les voyants lumineux de l'écran d'affichage et de contrôle sont éteints. Appuyez une deuxième fois pour quitter le mode « nuit ».

Réglage du taux d'humidité

Vous avez la possibilité de fixer le taux d'humidité souhaité entre 40% & 75%. Pour ce faire, appuyez sur la touche « taux humidité ». La valeur est affichée pendant que vous sélectionnez le taux. Après quelques secondes, le display affiche à nouveau le taux d'humidité actuel. Si le taux d'humidité réel est supérieur à celui sélectionné, l'humidificateur arrête d'émettre de la vapeur et le ventilateur continue de fonctionner. Lorsque le taux d'humidité est inférieur à 5% du niveau sélectionné, l'humidificateur fonctionne à nouveau.

Intensité de vapeur

Il est possible de sélectionner trois intensités de vapeur (faible-moyenne-élevée). Pour ce faire, appuyez successivement sur la touche « intensité d'émission ».

Remplacement du filtre

Le filtre a une durée d'utilisation d'un an. Pour le remplacer, suivez les instructions décrites au point 4 de la préparation de l'humidificateur avant utilisation.

Remarque : Lorsque le filtre est installé dans le réservoir d'eau et que la machine est allumée pour la première fois, l'intensité de vapeur sera très faible pendant la première demi-heure, après quoi elle reviendra à la normale. En effet, lors de la première utilisation, l'eau génère beaucoup de bulles d'air lorsqu'elle traverse la zéolite située à l'intérieur du filtre. Au bout d'une demi-heure, les bulles d'air sont beaucoup moins nombreuses et l'intensité de vapeur revient à la normale.

Si vous n'utilisez pas l'humidificateur pendant une longue période, 30 minutes seront également nécessaires pour que le taux d'émission de vapeur revienne à la normale.

Remarque : Lorsque qu'il n'y a plus d'eau dans le réservoir, le voyant rouge de la touche On/Off clignote et l'affichage indique le code E1. Remplissez à nouveau le réservoir.

Si le réservoir n'est pas placé sur la base, l'humidificateur émet un son à 3 reprises, le voyant rouge de la touche On/Off s'affiche et le display indique le code E2.

Utilisation des huiles essentielles

Pour la diffusion d'huiles essentielles biologiques dans la pièce, versez quelques gouttes d'huiles essentielles biologiques (maximum 3-4) directement dans l'eau et remettez ensuite le couvercle du réservoir.

⚠ Avertissement

Informations complémentaires relatives à l'utilisation d'huiles essentielles :

- Avant d'utiliser les huiles essentielles, veuillez-vous renseigner sur les effets négatifs à l'égard de la santé que peut engendrer l'usage de tels produits.
- Choisissez toujours des huiles essentielles de qualité : pures et 100% naturelles et destinées à la diffusion. Utilisez-les avec modération et précaution. Respectez les indications et les mises en garde mentionnées sur les conditionnements des huiles essentielles en veillant notamment au fait que :
 - L'usage des huiles essentielles est interdit pour les femmes enceintes et les sujets épileptiques ou souffrants d'asthme ou d'allergie, les personnes ayant des problèmes de cœur ou des pathologies graves.

- Dans une chambre de bébé (- de 3 ans), seule une utilisation des huiles essentielles ne dépassant pas plus de 10 minutes est autorisée et ce uniquement lorsque le bébé n'est pas présent dans la pièce.
- Veillez à ce que les enfants et les mineurs d'âge ne jouent pas avec l'appareil et ne l'utilisent pas.
- Seules quelques gouttes (3 à 4 gouttes maximum) d'huiles essentielles sont suffisantes en vue d'assurer un bon fonctionnement de l'appareil et la diffusion du parfum. Une utilisation excessive d'huiles essentielles pourrait endommager l'appareil.
- Lanaform ne peut être tenu pour responsable en cas de dommage accidentel résultant de toute utilisation contraire à celles requises dans ce manuel d'utilisation.

FR

Nettoyage

Entretien



Placez toujours l'humidificateur hors tension et videz l'eau contenue dans le réservoir avant de le nettoyer ou de le ranger. Pour vider l'eau du réservoir, assurez-vous que de l'eau ne rentre pas dans la cheminée par la sortie d'air.

Si l'eau est dure, c'est-à-dire si elle contient trop de calcium et de magnésium, elle peut déposer une "poudre blanche" dans l'appareil et provoquer une lourde écume à la surface du bassin, sur le transducteur (pastille en céramique produisant les ultrasons) et sur les parois intérieures du réservoir d'eau. De l'écume sur le transducteur ne permet pas à l'appareil de fonctionner correctement.

Nous conseillons

- 01 D'utiliser de l'eau bouillie et refroidie ou de l'eau distillée pour chaque utilisation,

- 02 De nettoyer le réservoir tous les 3 jours, de nettoyer le transducteur toutes les semaines,
- 03 De changer l'eau du réservoir régulièrement pour qu'elle reste fraîche, de ne pas l'y laisser plus de 2 jours,
- 04 De nettoyer tout l'appareil et de s'assurer que toutes ses pièces soient parfaitement sèches lorsqu'il n'est pas en service.

Pour nettoyer le transducteur ☒ 4

- 01 Retirez le réservoir d'eau.
- 02 Déposez 2 à 5 gouttes de vinaigre sur sa surface et laissez reposer de 2 à 5 minutes.
- 03 Brossez l'écume de la surface à l'aide de la brosse fournie. N'employez pas d'outil dur pour gratter la surface.
- 04 Rincez le transducteur à l'eau claire.
- 05 N'employez pas de savon ou d'autres substances basiques pour nettoyer le transducteur.

Pour nettoyer le réservoir

- 01 Retirez le couvercle du réservoir. Retirez ensuite la cheminée de vapeur ainsi que la buse d'entrée de la cheminée de vapeur du réservoir en tournant ces deux éléments dans le sens contraire des aiguilles d'une montre.
- 02 Nettoyez le bassin à l'eau, à l'aide d'un chiffon doux, et au vinaigre s'il y a de l'écume OU dépôts calcaires à l'intérieur.
- 03 Si l'écume recouvre l'interrupteur de sécurité, déposez-y quelques gouttes de vinaigre et nettoyez-le à la brosse.
- 04 Rincez le bassin à l'eau claire.
- 05 Remplacez la buse d'entrée de la cheminée en veillant à ce que le marquage en triangle corresponde à celui du réservoir et tourner ensuite la buse dans le sens

des aiguilles d'une montre. Replacez ensuite la cheminée au réservoir d'eau.

- 02 Laissez-le sécher complètement avant de le ranger. Ne le rangez pas en laissant de l'eau dans la base.
- 03 Rangez l'appareil dans un endroit sec et frais, hors de portée des enfants.

Rangement

- 01 Nettoyez et séchez l'humidificateur à ultrasons soigneusement, en suivant les instructions d'entretien.

Dépannage

Phénomènes	Causes possibles	Solutions
Pas de vapeur, pas de voyant lumineux	S'il n'y a pas de lumière	Vérifiez si l'appareil est branché ou s'il n'y a pas de panne au niveau du secteur
	Le réservoir n'est pas correctement installé	Vérifiez que le réservoir soit correctement installé sur la base
	Fuite d'eau au niveau du réservoir	Vérifiez que le réservoir soit correctement placé
	La température de l'unité est trop basse	Placez l'unité dans une pièce à température ambiante une demi-heure avant usage
Vapeur à odeur inhabituelle	L'eau stagne depuis trop longtemps dans le réservoir	Nettoyez le réservoir et versez-y de l'eau propre et fraîche, distillée ou déminéralisée
Faible intensité	Trop (peu) d'eau dans le réservoir	Videz (ajoutez) l'eau du réservoir
	Sédiments sur le transducteur	Nettoyez le transducteur
	L'eau est trop froide	Utilisez de l'eau à température ambiante
	L'eau n'est pas propre	Nettoyez le réservoir et versez-y de l'eau propre et fraîche, distillée ou déminéralisée
Lumière rouge sur le bouton d'allumage	Le niveau d'eau est trop bas	Débranchez l'appareil et remplissez le réservoir
Niveau sonore anormalement élevé	L'humidificateur n'est pas placé sur une surface dure et plane	Veillez à placer l'humidificateur sur une surface dure et plane

FR

19 - FRANÇAIS

Données techniques

- Référence produit: LA120126
- Alimentation: AC 100-240V, 50-60 Hz
- Dimensions: 17x17x25.4 cm
- Poids: 1.34 kg



Conseils relatifs à l'élimination des déchets

L'emballage est entièrement composé de matériaux sans danger pour l'environnement qui peuvent être déposés auprès du centre de tri de votre commune pour être utilisés comme matières secondaires. Le carton peut être placé dans un bac de collecte papier. Les films d'emballage doivent être remis au centre de tri et de recyclage de votre commune.

Lorsque vous ne vous servez plus de l'appareil, éliminez-le de manière respectueuse de l'environnement et conformément aux directives légales.

Garantie limitée

Lanaform garantit que ce produit est exempt de tout vice de matériau et de fabrication à compter de sa date d'achat et ce pour une période de deux ans, à l'exception des précisions ci-dessous.

La garantie Lanaform ne couvre pas les dommages causés suite à une usure normale de ce produit. En outre, la garantie sur ce produit Lanaform ne couvre pas les dommages causés à la suite de toute utilisation abusive ou inappropriée ou encore de tout mauvais usage, accident, fixation de tout accessoire non autorisé, modification apportée au produit ou de toute autre condition, de quelle que nature que ce soit, échappant au contrôle de Lanaform.

Lanaform ne sera pas tenue pour responsable de tout type de dommage accessoire, consécutif ou spécial.

Toutes les garanties implicites d'aptitude du produit sont limitées à une période de deux années à compter de la date d'achat initiale pour autant qu'une copie de la preuve d'achat puisse être présentée.

Dès réception, Lanaform réparera ou remplacera, suivant le cas, votre appareil et vous le renverra. La garantie n'est effectuée que par le biais du Centre Service de Lanaform. Toute activité d'entretien de ce produit confiée à toute personne autre que le Centre Service de Lanaform annule la présente garantie.

Inhoud van de verpakking

- 1 Luchtbevochtiger H-200c
- 1 antibacteriële filter
- 1 handleiding

Waarschuwingen

⚠ Lees alle instructies voordat u het product gaat gebruiken, in het bijzonder deze belangrijke veiligheidsinstructies.

📷 Foto's en andere weergaven van het product in deze handleiding en op de verpakking zijn zo getrouw mogelijk bedoeld maar kunnen geen perfecte gelijkenis met het product verzekeren.

⚠ Waarschuwing

Gebruik dit product alleen zoals beschreven in deze handleiding. De luchtbevochtiger is ontworpen voor gebruik binnenshuis en alleen voor huishoudelijk gebruik. Dit product mag worden gebruikt door kinderen vanaf 8 jaar en door personen met een lichamelijke, zintuiglijke of geestelijke beperking of met een gebrek aan ervaring en kennis, indien zij onder toezicht staan of instructies hebben gekregen

over het veilige gebruik van het product en de risico's begrijpen van het gebruik van het product. **Kinderen mogen niet met het apparaat spelen. De reiniging en het onderhoud mogen niet zonder toezicht worden uitgevoerd door kinderen. Kinderen mogen niet met het product spelen. Controleer of uw netspanning overeenstemt met die van het apparaat. Gebruik geen accessoires die niet door Lanaform worden aanbevolen of die niet bij dit product worden geleverd. Haal niet het hele apparaat uit elkaar, of zelfs niet het basisstation. Laat nooit iets vallen en steek nooit een voorwerp in een van de openingen. Gebruik dit product niet als de stekker beschadigd is, als het niet goed werkt, als het op de grond gevallen of beschadigd is, of als het in het water gevallen is. Laat het product vervolgens onderzoeken en repareren door de leverancier of diens klantenservice. Als het snoer beschadigd is, moet het worden vervangen door een gelijkwaardig snoer dat verkrijgbaar**

NL

21 - NEDERLANDS

is bij de leverancier of diens klantenservice. **G**ebruik dit product nooit in een ruimte waar aërosolen (sprays) worden gebruikt of in een ruimte waar zuurstof wordt toegediend. **H**aal de stekker van een product dat in het water is gevallen onmiddellijk uit het stopcontact voordat u het uit het water haalt. **H**oud het elektrische snoer uit de buurt van warme oppervlakken. **S**chakel het apparaat niet in als er geen water in het reservoir zit. **G**ebruik de luchtbevochtiger niet als het reservoir beschadigd of gebarsten is. **H**aal de stekker uit het stopcontact als het product langere tijd niet wordt gebruikt of als er niemand thuis is. **E**en elektrisch apparaat mag nooit onbeheerd worden achtergelaten terwijl de stekker in het stopcontact zit. **H**aal de stekker uit het stopcontact als u het apparaat niet gebruikt. **D**e elektrische stekker van het apparaat niet met natte handen uit het stopcontact halen of in het stopcontact plaatsen. **P**laats geen kleding of handdoeken op het apparaat. **A**ls het mondstuk verstopt is, kan dit leiden tot een slechte werking van

het apparaat. **P**laats de luchtbevochtiger niet op een plaats waar het mondstuk van de verstuiver de damp rechtstreeks op een persoon of voorwerp richt. **G**ebruik de luchtbevochtiger niet als de lucht in de kamer al voldoende vochtig is (ten minste 50% relatieve vochtigheid). **D**e ideale luchtvochtigheidsgraad voor de mens ligt immers tussen 45 en 55%. **E**en te hoge luchtvochtigheid uit zich in de vorm van condensatie op koude oppervlakken of koude muren in de kamer. **O**m de vochtigheidsgraad in de kamer correct te bepalen, gebruikt u een hygrometer, die verkrijgbaar is in de meeste speciaalzaken en grootwarenhuizen. **D**enk eraan dat een hoge vochtigheidsgraad de groei van biologische organismen in de natuur kan bevorderen. **D**raag het apparaat niet aan het snoer en gebruik het snoer niet als handgreep. **T**il het apparaat op aan de basis om het te verplaatsen, en niet aan het waterreservoir. **P**laats luchtbevochtiger altijd op een hard, vlak en horizontaal oppervlak. **P**laats het apparaat op enige afstand

van de muren en van warmtebronnen zoals een fornuis, radiator, enz. **Let op:** Als het apparaat niet op een horizontaal oppervlak staat, dan is het mogelijk dat het apparaat niet correct functioneert. **Stel** het apparaat niet bloot aan rechtstreeks zonlicht. **Vul** het reservoir met schoon en vers, gedistilleerd of gedemineraliseerd water. **Schud** het apparaat niet. **Hierdoor** zou water in het basisstation kunnen lopen en de werking ervan kunnen worden beïnvloed. **Raak** het water en de onderdelen nooit aan als het apparaat in werking is. **Verwijder** het reservoir niet als de luchtbevochtiger in werking is. **Drink** geen water rechtstreeks uit het reservoir en inhaleer geen damp uit de luchtbevochtiger. **Indien** zich tijdens het gebruik, zoals beschreven in deze handleiding, een abnormale geur verspreidt, schakel het apparaat dan uit, trek de stekker uit het stopcontact en laat het onderzoeken door de leverancier of zijn dienst-na-verkoop. **Laat** de ruimte rond de luchtbevochtiger niet vochtig of nat worden. **Verminder** de stoomintensiteit

in geval van overmatige vochtigheid. **Als** dit niet kan worden verminderd, gebruik de luchtbevochtiger dan met tussenpozen. **Laat** absorberende materialen, zoals tapijt, gordijnen, draperieën of tafelkleden niet nat worden. **Giet** geen warm water in het reservoir, dat wil zeggen: water van meer dan 40°C. **Haal** de stekker uit het stopcontact na gebruik, voordat u het apparaat schoonmaakt of het reservoir verwijderd. **Was** het volledige apparaat niet met water en dompel het niet onder, zie de schoonmaakinstructies in deze handleiding. **Schraap** nooit over de omzetter met een hard voorwerp. **De** luchtbevochtiger moet regelmatig worden schoongemaakt. **Raadpleeg** hiervoor de schoonmaakinstructies in deze handleiding en volg deze op. **Gebruik** geen etherische oliën waarvan het gebruik wordt afgeraden voor verdamping. **Raadpleeg** hiervoor het advies over het gebruik van etherische oliën in deze handleiding. **Gebruik** geen synthetische parfums of essences, want die kunnen het apparaat beschadigen.

Presentatie

Hartelijk dank voor uw aankoop van de geconnecteerde luchtbevochtiger H-200C van Lanaform. De luchtbevochtiger helpt u om de juiste vochtigheidsgraad te herstellen en het ongemak van droge lucht te elimineren. Het ventilatiesysteem verspreidt water in de vorm van koude damp en zorgt zo voor het gewenste vochtigheidsniveau. Deze damp bestaat uit nevel die uit de verdampingstuit komt.

App Lanaform Connect

U kunt de luchtbevochtiger via wifi verbinden met uw smartphone. Het enige wat u hoeft te doen, is de gratis app **Lanaform Connect** downloaden. De app **Lanaform Connect** is beschikbaar in de App Store (IOS) en op Google Play (Android™).

De app **Lanaform Connect** biedt de volgende functies:

- Controle en weergave van de relatieve vochtigheid in de lucht.
- Controle van de intensiteit van de dampafgifte
- Controle van de gebruiksduur
- Controle van de sfeerverlichting
- Controle van de nachtmodus
- Weergave van het waterniveau

Vereiste configuratie: iOS ≥ 11.0, Android™ ≥ 5.0, Bluetooth® ≥ 4.0, wifi 2.4Ghz.

ⓘ Opmerking

U kunt dezelfde basisfuncties van de luchtbevochtiger ook gebruiken zonder de app **Lanaform Connect**.

Verbind de luchtbevochtiger met de app Lanaform Connect

- 01 Volg de instructies in het hoofdstuk. 'Vorbereiding vóór gebruik'.

- 02 Stop de stekker in het stopcontact. Zorg ervoor dat niemand over de kabel kan struikelen.
- 03 Druk op de aan/uit-knop om de luchtbevochtiger in te schakelen.

ⓘ Opmerking

Het symbool 'wifi' knippert snel (📶). Als dit niet het geval is, 'reset' het apparaat dan door de toets 'sfeerverlichting' enkele seconden ingedrukt te houden.

- Zorg dat uw smartphone verbonden is met het wifinetwerk.
- Download de gratis applicatie Lanaform Connect via de App Store (iOS) of Google Play (Android™).
- Start de "Lanaform Connect"-app en volg de instructies.
- Klik op Connect a New Device (Een nieuw apparaat aansluiten) of druk op de toets '+' bovenaan op het scherm. Volg de instructies op het scherm om de luchtbevochtiger te verbinden met uw netwerk.

ⓘ Opmerking

Afhankelijk van de instellingen van de smartphone kunnen er extra kosten zijn voor de internetverbinding of datatransmissie.

Deze instructie is alleen geldig wanneer de luchtbevochtiger voor de eerste keer wordt geconfigureerd.

Beschrijving

Het apparaat 1


- 01 Verstuiver
- 02 Deksel van het waterreservoir
- 03 Handvat
- 04 Sfeerverlichting
- 05 Stoompijp
- 06 Waterreservoir
- 07 Antibacteriële filter
- 08 Dop van het waterreservoir

- 09 Bedieningspaneel en scherm
- 10 Basis van het apparaat
- 11 Reinigingsborstel
- 12 Ultrasonische schijf
- 13 Mondstuk van de stoompijp

Display 2

- 01 Aan-/uit-toets
- 02 Toets voor sfeerverlichting
- 03 Weergave vochtigheidsgraad/timer
- 04 Toets timer
- 05 Toets nachtmodus
- 06 Toets vochtigheidsgraad
- 07 Toets stoomintensiteit

Vorbereitung vóór gebruik

- 01 Plaats de luchtbevochtiger een half uur voordat u hem aanzet in het vertrek, zodat hij zich aan de kamertemperatuur kan aanpassen.
- 02 Zorg ervoor dat het apparaat altijd op een hard, vlak en horizontaal oppervlak wordt geplaatst. Plaats het apparaat op enige afstand van de muren en van warmtebronnen zoals een fornuis, radiator, enz.
- 03 Zorg ervoor dat het apparaat schoon is voordat u het gaat gebruiken.
- 04 Plaatsing van de filter  3
- 05 De luchtbevochtiger is uitgerust met een antibacteriële filter. Om die te installeren, verwijdert u eerst het deksel van het reservoir en het stoompijpje door het in tegenwijzerszin te draaien. Plaats vervolgens het filterpatroon stevig in zijn gleuf. Zet vervolgens het stoompijpje terug op het reservoir door het pijpje in wijzerszin te draaien.
- 06 Om het waterreservoir te vullen:
 - Zorg ervoor dat de stekker van de luchtbevochtiger uit het stopcontact is.
 - Verwijder het deksel van het waterreservoir en vul het reservoir

met schoon en vers, gedistilleerd of gedemineraliseerd water.

- Verwijder het waterreservoir en het deksel van de basis en vul het met water alvorens het op de basis terug te plaatsen, waarbij u erop let dat de markeringen op de basis en het reservoir overeenstemmen.

Opmerking: Let er bij het vullen op dat er geen water in het stoompijpje terecht komt, zodat het water rechtstreeks uit het reservoir in de basis van het apparaat wordt geïnjecteerd.

Instructies

Start het apparaat

Stop de stekker van het apparaat in het stopcontact. Druk één keer op de aan-/uit-toets om het apparaat aan te zetten. De luchtbevochtiger duidt de relatieve vochtigheid aan en werkt volgens het tweede intensiteitsniveau. De sfeerverlichting is uitgeschakeld. Druk nogmaals op de aan-/uit-toets om het apparaat uit te schakelen.

Sfeerverlichting

Druk één keer op de toets 'Sfeerverlichting' en de 7 kleuren worden automatisch doorlopen. Druk achtereenvolgens op dezelfde toets om een vaste kleur te kiezen en zet hem vervolgens uit.

Instelling van de timer

Druk op de toets 'Timer' om de werkingsduur van de luchtbevochtiger in te stellen. Het is mogelijk om 1 tot 12 uur werking of continue werking (Co) te kiezen. Zodra de duur is gekozen, wordt die gedurende 3 seconden weergegeven op het display.

NL

25 · NEDERLANDS

Nachtmodus

Druk eenmaal op de toets 'Nachtmodus'. De aanduiding 5P wordt weergegeven en na 5 seconden wordt de nachtstand geactiveerd. De stoomintensiteit staat op het laagste niveau, de sfeerverlichting is uitgeschakeld en de indicator- en controlelampjes zijn uit. Druk een tweede keer om de nachtmodus te verlaten.

Instelling van de vochtigheidsgraad

U kunt de gewenste vochtigheidsgraad instellen tussen 40% en 75%. Om dit te doen, drukt u op de toets 'vochtigheidsgraad'. De waarde wordt weergegeven terwijl u de vochtigheidsgraad selecteert. Na enkele seconden geeft het scherm opnieuw de huidige vochtigheid weer. Als de werkelijke vochtigheidsgraad hoger is dan het geselecteerde niveau, stopt de luchtbevochtiger met stomen en blijft de ventilator draaien. Wanneer de vochtigheidsgraad daalt tot onder 5% van het geselecteerde niveau, zal de luchtbevochtiger opnieuw beginnen te werken.

Stoomintensiteit

Drie stoomintensiteiten (laag-gemiddeld-hoog) kunnen worden geselecteerd. Om dit te doen, drukt u achtereenvolgens op de toets 'stoomintensiteit'.

Vervanging van de filter

De filter heeft een houdbaarheid van een jaar. Om deze te vervangen, volgt u de instructies beschreven in punt 4 van de voorbereiding van de luchtbevochtiger vóór gebruik.

Opmerking: Wanneer de filter in het waterservoir is geïnstalleerd en het apparaat voor het eerst wordt ingeschakeld, zal de stoomintensiteit gedurende het eerste half uur zeer laag zijn, waarna deze weer normaal zal worden. Bij het eerste gebruik genereert het water veel luchtbelletjes wanneer het door

het zeoliet in de filter gaat. Na een half uur zijn de luchtbellen veel minder talrijk en wordt de stoomintensiteit weer normaal.

Als u de luchtbevochtiger gedurende lange tijd niet gebruikt, duurt het ook 30 minuten voordat het gehalte van de stoomafgifte weer normaal is.

Opmerking: Als er geen water meer in het reservoir zit, knippert het rode lampje op de aan/uit-toets en geeft het display de code E1 weer. Vul het reservoir bij.

Als het reservoir niet op de basis is geplaatst, zal de luchtbevochtiger 3 keer piepen, het rode lampje op de aan/uit-toets zal verschijnen en het display zal de code E2 weergeven.

Gebruik van de etherische oliën

Om biologische etherische oliën in de ruimte te verspreiden, giet u enkele druppels biologische etherische oliën (maximaal 3-4) rechtstreeks in het water en plaatst u vervolgens het deksel van het reservoir terug.

⚠ Waarschuwing

Aanvullende informatie over het gebruik van etherische oliën

- Voordat u etherische oliën gaat gebruiken, moet u zich informeren over de mogelijke negatieve gevolgen voor de gezondheid door het gebruik van dergelijke producten.
- Kies altijd etherische oliën van goede kwaliteit: zuiver en 100% natuurlijk en bedoeld om te verdampen. Gebruik ze met mate en voorzichtig. Houd u aan de aanwijzingen en waarschuwingen op de verpakking van de etherische oliën en let in het bijzonder op het volgende:
 - Het gebruik van etherische oliën is verboden voor zwangere vrouwen en mensen die lijden aan epilepsie, astma

of allergieën, mensen met hartproblemen of ernstige aandoeningen.

- In de kamer van een baby (jonger dan 3 jaar) mogen etherische oliën maximaal 10 minuten worden gebruikt en alleen als de baby niet in de kamer aanwezig is.
- Zorg ervoor dat kinderen en minderjarigen niet met het apparaat spelen en het niet gebruiken.
- Slechts enkele druppels (maximaal 3 à 4 druppels) etherische olie zijn voldoende voor een goede werking van het apparaat en de verspreiding van de geur. Overmatig gebruik van etherische oliën kan het apparaat beschadigen.
- Lanaform kan niet aansprakelijk worden gesteld voor incidentele schade als gevolg van gebruik dat in strijd is met de voorschriften in deze handleiding.

Reiniging Onderhoud



Schakel de luchtbevochtiger altijd uit en maak het reservoir leeg voordat u het apparaat schoonmaakt of opbergt. Om het reservoir leeg te maken, moet u ervoor zorgen dat er geen water via de luchtuitlaat in het pijpje belandt.

Als het water hard is (d.w.z. te veel calcium en magnesium bevat), kan het een 'wit poeder' achterlaten in het apparaat en een dikke schuimlaag vormen aan het oppervlak van het reservoir, op de omzetter (het keramische plaatje dat de ultrasonische trillingen voortbrengt) en op de binnenwanden van het waterreservoir. Schuim op de omzetter heeft geen invloed op de correcte werking van het apparaat.

Wij bevelen aan

- 01 Om gekookt en afgekoeld water of gedistilleerd water te gebruiken voor elk gebruik,
- 02 Om het reservoir om de 3 dagen schoon te maken, en de omzetter wekelijks.

- 03 Om het water in het reservoir regelmatig te verversen, en het niet langer dan 2 dagen in het reservoir te laten staan,
- 04 Om het hele apparaat schoon te maken en ervoor te zorgen dat alle onderdelen volledig droog zijn wanneer u het apparaat niet gebruikt.

Voor het schoonmaken van de omzetter ☒ 4

- 01 Verwijder het waterreservoir.
- 02 Giet 2 tot 5 druppels azijn op het oppervlak en laat dit 2 tot 5 minuten rusten.
- 03 Borstel het schuim van het oppervlak met de bijgeleverde borstel. Gebruik geen hard instrument om het oppervlak schoon te borstelen.
- 04 Spoel de omzetter met helder water.
- 05 Gebruik geen zeep of andere basisstoffen om de omzetter schoon te maken.

Voor het schoonmaken van het reservoir

- 01 Verwijder het deksel van het reservoir. Verwijder vervolgens het stoompijpje en het mondstuk van het stoompijpje van het reservoir door beide onderdelen in tegenwijzerszin te draaien.
- 02 Maak het waterreservoir schoon met een zachte doek en water. Gebruik azijn als er schuim- OF kalkafzetting aan de binnenkant zit.
- 03 Als het schuim de veiligheidsschakelaar bedekt, doe er dan een paar druppels azijn op en maak het schoon met een borstel.
- 04 Spoel het reservoir met helder water.
- 05 Plaats het mondstuk van het pijpje terug, zorg ervoor dat de driehoekige markering overeenkomt met die op het reservoir en draai vervolgens het mondstuk in wijzerszin. Plaats het pijpje terug op het waterreservoir.

NL

27 · NEDERLANDS

Opbergen

01 Maak de ultrasone luchtbevochtiger grondig droog en schoon, volgens de onderhoudsinstructies.

02 Laat het apparaat volledig drogen alvorens het op te bergen. Berg het niet op met water in de basis.

03 Bewaar het apparaat op een koele en droge plaats, buiten het bereik van kinderen.

Problemen oplossen

Fenomenen	Mogelijke oorzaken	Oplossingen
Geen damp, geen controlelampje	Als er geen lampje brandt	Controleer of de stekker in het stopcontact zit en of er geen stroomonderbreking is
	Het reservoir is niet correct geïnstalleerd	Controleer of het reservoir correct op de basis is geïnstalleerd
	Er lekt water uit het reservoir	Controleer of het reservoir correct geplaatst is
	De temperatuur van het apparaat is te laag	Plaats het een half uur voor gebruik in een kamer op kamertemperatuur
Damp met een vreemde geur	Het water zit al te lang in het reservoir	Maak het reservoir schoon en vul het met schoon en vers gedistilleerd of gedemineraliseerd water
Lage intensiteit	Te veel of te weinig water in het reservoir	Laat water wegglopen uit het reservoir of voeg water toe aan het reservoir
	Afzettingen op de omzetter	Maak de omzetter schoon
	Het water is te koud	Gebruik water op kamertemperatuur
	Het water is niet schoon	Maak het reservoir schoon en vul het met schoon en vers gedestilleerd of gedemineraliseerd water
Rood licht op de ontstekingsknop	Het waterpeil is te laag	Haal de stekker uit het stopcontact en vul het reservoir opnieuw

NL

Fenomenen	Mogelijke oorzaken	Oplossingen
Abnormaal hoog geluidsniveau	De luchtbevochtiger is niet op een harde, vlakke ondergrond geplaatst	Zorg ervoor dat de luchtbevochtiger op een harde, vlakke ondergrond staat

Technische gegevens

- Productreferentie: LA120126
- Voeding: AC 100-240V, 50-60 Hz
- Afmetingen: 17x17x25.4 cm
- Gewicht: 1.34 kg

Advies over afvalverwijdering

De verpakking is volledig samengesteld uit milieuvriendelijke materialen die afgeleverd kunnen worden in het sorteercentrum van uw gemeente om gebruikt te worden als secundaire materialen. Het karton mag in een inzamelingscontainer voor papier geplaatst worden. De verpakkingfolie kan ingeleverd worden bij het sorteer- en recyclagecentrum van uw gemeente.

Wanneer u het toestel niet langer gebruikt, dient u dit op milieuvriendelijke wijze en overeenkomstig de wettelijke richtlijnen te verwijderen.

Beperkte garantie

Lanaform garandeert dat dit product geen onderdelen met gebreken en fabricagefouten bevat voor een periode van twee jaar vanaf de aankoopdatum, met uitzondering van de onderstaande gevallen.

Lanaform dekt geen schade veroorzaakt door een normale slijtage van dit product.

Deze garantie op een product van Lanaform dekt geen schade, veroorzaakt door een slecht of verkeerd gebruik van het toestel, een ongeluk, het bevestigen van niet-toegestane toebehoren, het aanpassen van het product of om het even welke andere omstandigheid, van welke aard ook, waar Lanaform geen controle over heeft.

Lanaform kan niet aansprakelijk worden gesteld voor gevolgschade, niet-rechtstreekse schade of specifieke schade van welke aard ook.

Alle garanties die impliciet te maken hebben met de geschiktheid van het product zijn beperkt tot een periode van twee jaar, te rekenen vanaf de oorspronkelijke aankoopdatum in zover een aankoopbewijs voorgelegd kan worden.

Na ontvangst zal Lanaform het toestel herstellen of vervangen, naargelang het geval, en zal het u nadien ook terugsturen. De garantie wordt enkel uitgeoefend via het Lanaform Service Center. Elke onderhoudsactiviteit op dit product die wordt toevertrouwd aan elke andere persoon dan iemand van het Lanaform Service Center annuleert deze garantie.

NL

Packungsinhalt

- 1 Luftbefeuchter H-200c
- 1 antibakterieller Filter
- 1 Bedienungsanleitung

Warnhinweise

⚠ Bitte lesen Sie alle Anweisungen, bevor Sie Ihr Produkt verwenden, insbesondere diese wichtigen Sicherheitshinweise.

☒ Die Fotos und anderen Produktabbildungen in dieser Bedienungsanleitung und auf der Verpackung sollen eine möglichst genaue Wiedergabe des Produkts sein, können jedoch nicht perfekt mit dem Produkt übereinstimmen.

reportproblemWarnhinweis

Dieses Gerät darf nur auf die in dieser Bedienungsanleitung beschriebenen Weise verwendet werden. Der Luftbefeuchter ist ausschließlich für den Innen- und Haushaltsbereich bestimmt. Dieses Gerät kann von Kindern ab 8 Jahren und Personen mit eingeschränkten körperlichen, sensorischen oder geistigen Fähigkeiten oder mangelnder Erfahrung und Kenntnissen verwendet werden, wenn sie überwacht

werden oder Anweisungen zur sicheren Verwendung des Geräts und den damit verbundenen Risiken erhalten haben. **Kinder dürfen nicht mit dem Gerät spielen. Die Reinigung und Wartung darf nicht von unbeaufsichtigten Kindern durchgeführt werden. Kinder dürfen nicht mit dem Gerät spielen. Stellen Sie sicher, dass Ihre Netzspannung für das Gerät geeignet ist. Verwenden Sie kein Zubehör, das nicht von Lanaform empfohlen wurde bzw. das nicht im Lieferumfang des Geräts enthalten ist. Bauen Sie das Gerät nicht in seiner Gesamtheit auseinander und auch nicht die Basiseinheit. Lassen Sie nichts in eine der Öffnungen fallen und stecken Sie keine Gegenstände hinein. Verwenden Sie dieses Gerät nicht, wenn die Steckdose beschädigt ist, wenn das Gerät nicht richtig funktioniert, auf den Boden gefallen oder beschädigt oder ins Wasser gefallen ist. Lassen Sie das Gerät dann vom Lieferanten oder seinem Kundendienst überprüfen und reparieren. Falls das Netzkabel**

beschädigt ist, muss es durch ein gleiches ersetzt werden, das beim Lieferanten oder seinem Kundendienst erhältlich ist. **Verwenden Sie dieses Gerät nicht in einem Raum, in dem Sprühprodukte (Sprays) oder Sauerstoff verwendet werden. Trennen Sie ein in Wasser gefallenes Gerät sofort von der Stromquelle, bevor Sie es anfassen. Halten Sie das Netzkabel von heißen Oberflächen entfernt. Schalten Sie das Gerät nicht ohne Wasser im Tank ein. Verwenden Sie den Luftbefeuchter nicht, wenn der Wassertank beschädigt oder gerissen ist. Trennen Sie das Netzkabel, wenn das Produkt über einen längeren Zeitraum nicht benutzt wird oder sich niemand zu Hause befindet. Elektrische Geräte dürfen nie unbeaufsichtigt an die Stromzufuhr angeschlossen bleiben. Ziehen Sie den Netzstecker, wenn Sie es nicht verwenden. Schließen Sie das Gerät nicht an, ziehen Sie den Netzstecker nicht mit nassen Händen vom Gerät ab. Das Gerät nicht mit Kleidungsstücken oder Handtüchern bedecken. Wenn die Düse verstopft**

ist, kann es zu Fehlfunktionen des Geräts kommen. Stellen Sie den Luftbefeuchter nicht an einen Ort, an dem die Düse des Diffusors den Dampf direkt auf eine Person oder ein Objekt leitet. Verwenden Sie den Luftbefeuchter nicht, wenn die Luft des Raums bereits feucht ist (mindestens 50% relative Luftfeuchtigkeit). Die für das menschliche Wohlbefinden ideale relative Luftfeuchtigkeit liegt zwischen 45% und 55%. Auf kalten Oberflächen oder kalten Wänden des Raumes tritt zu viel Feuchtigkeit auf. Um die Luftfeuchtigkeit des Raums optimal zu bestimmen, verwenden Sie ein Hygrometer, das in den meisten Fachgeschäften und Großgeschäften erhältlich ist. Bitte beachten Sie, dass hohe Feuchtigkeitsraten das Wachstum von biologischen Organismen in der Natur fördern können. Transportieren Sie das Gerät nicht, indem Sie es an seinem Netzkabel tragen bzw. benutzen Sie das Netzkabel nicht als Tragegriff. Das Gerät muss zum Umstellen am Unterteil angehoben werden und nicht über den Wassertank. Der Luftbefeuchter

muss immer auf einer harten, ebenen und geraden Oberfläche aufgestellt werden. **Platzieren** Sie das Gerät mit leichtem Abstand zu Wänden und Hitzequellen, wie z. **B. Öfen**, Heizkörpern usw. **Achtung:** Wenn sich das Gerät nicht auf einer waagerechten Oberfläche befindet, ist es möglich, dass es nicht einwandfrei funktioniert. **Das** Gerät sollte nicht direkter Sonneneinstrahlung ausgesetzt werden. **Der** Wassertank darf nur mit sauberem, destilliertem oder demineralisiertem Wasser befüllt werden. **Schütteln** Sie das Gerät nicht. **Dies** könnte dazu führen, dass das Wasser in der Basiseinheit überläuft, was den Betrieb beeinträchtigt. **Berühren** Sie niemals Wasser und Komponenten, wenn das Gerät in Betrieb ist. **Entfernen** Sie den Wassertank nicht während der Luftbefeuchter in Gang ist. **Trinken** Sie das Wasser des Tanks nicht und inhalieren Sie nicht den vom Luftbefeuchter freigesetzten Dampf. **Wenn** während des Einsatzes ein wie in diesem Handbuch beschriebener anormaler Geruch auftritt, schalten Sie das Gerät aus,

trennen Sie es und lassen Sie es vom Anbieter oder dessen Kundendienst überprüfen. **Lassen** Sie den Bereich um den Luftbefeuchter nicht nass oder feucht werden. **Reduzieren** Sie bei zu hoher Feuchtigkeit die Dampfintensität. **Falls** diese nicht reduziert werden kann, verwenden Sie den Luftbefeuchter in Intervallen. **Lassen** Sie absorbierende Materialien, wie Teppiche, Vorhänge, Rollos oder Tischdecken nicht feucht werden. **Füllen** Sie kein heißes Wasser in den Tank ein, das heißt Temperaturen über 40°C. **Trennen** Sie das Gerät nach der Anwendung vom Stromnetz und bevor Sie es reinigen oder den Tank entfernen. **Reinigen** Sie nicht das gesamte Gerät mit Wasser und tauchen Sie es nicht in Wasser ein. **Bitte** beachten Sie die in diesem Handbuch aufgeführten Reinigungshinweise. **Bearbeiten** Sie den Transduktor nicht mit einem harten Gegenstand. **Der** Luftbefeuchter muss regelmäßig gereinigt werden. **Hierfür** bitte die in dieser Bedienungsanleitung aufgeführten Reinigungshinweise beachten und einhalten. **Keine**

ätherischen Öle verwenden, von deren Verdampfung abgeraten wird. Hierfür bitte die in diesem Handbuch aufgeführten Hinweise zur Anwendung von ätherischen Ölen beachten. Verwenden Sie kein Parfüm und keine synthetischen Essenzen, da dies zu einer Beschädigung des Geräts führen kann.

Präsentation

Herzlichen Dank, dass Sie sich für den vernetzten Luftbefeuchter H-200C von Lanaform entschieden haben. Der Luftbefeuchter hilft Ihnen, wieder eine optimale Luftfeuchtigkeit herzustellen und Beschwerden im Zusammenhang mit trockener Luft zu beseitigen. Das Belüftungssystem verbreitet Wasser in Form von Kaldampf und sorgt auf diese Weise für das gewünschte Luftfeuchtigkeitsniveau. Dieser Dampf entweicht in Form von Nebel aus der Öffnung des Luftbefeuchters.

Die App Lanaform Connect

Sie können den Luftbefeuchter über WLAN mit Ihrem Smartphone verbinden. Hierfür müssen Sie nur die kostenlose App **Lanaform Connect** herunterladen. Die App **Lanaform Connect** ist im App Store (IOS) und auf Google Play (Android™) erhältlich.

Die **Lanaform Connect** App bietet die folgenden Funktionen:

- Steuerung und Anzeige der relativen Luftfeuchtigkeit in der Luft.
- Steuerung der Dampfaussendungsintensität
- Steuerung der Nutzungsdauer
- Steuerung des Stimmungslichts

- Steuerung des Nachtmodus
- Anzeige des Wasserstands

Systemanforderungen: iOS ≥ 11.0, Android™ ≥ 5.0, Bluetooth® ≥ 4.0, WLAN 2.4Ghz.

ⓘ Hinweis

Dieselben Grundfunktionen des Luftbefeuchters stehen auch ohne die **Lanaform Connect** App zur Verfügung.

Den Luftbefeuchter mit der Lanaform Connect App verbinden

- 01 Halten Sie sich an die im Kapitel: „Vorbereitung“ aufgeführten Anweisungen.
- 02 Schließen Sie das Gerät an das Stromnetz an. Legen Sie das Kabel so aus, dass man nicht darüber stolpert.
- 03 Zum Einschalten des Luftbefeuchters die On/Off-Taste betätigen.

ⓘ Hinweis

Das WLAN-Symbol blinkt schnell (📶). Falls dies nicht der Fall ist, führen Sie bitte einen „Reset“ des Geräts aus, indem Sie mehrere Sekunden die Taste „Stimmungslicht“ betätigen.

- Stellen Sie sicher, dass Ihr Smartphone an das WLAN-Netz angeschlossen ist.
- Downloaden Sie die Gratisapp Lanaform Connect vom App Store (iOS) oder von Google Play (Android™).
- Starten Sie die Lanaform Connect-App und folgen Sie den Anweisungen.
- Klicken Sie New Device (zusätzliches Gerät anschließen) an und drücken Sie die Taste + oben am Bildschirm. Halten Sie sich an die auf dem Bildschirm angezeigten Anweisungen, um den Luftbefeuchter mit Ihrem Netzwerk zu verbinden.

Hinweis

Je nach Smartphone-Einstellungen kann die Internetverbindung oder die Datenübertragung zu zusätzlichen Kosten führen.

Diese Anweisungen sind nur dann auszuführen, wenn der Luftbefeuchter zum ersten Mal konfiguriert wird.

Beschreibung

Das Gerät 1

- 01 Dampfauslass
- 02 Deckel Wassertank
- 03 Tragegriff
- 04 Stimmungslicht
- 05 Dampfrohr
- 06 Wasserbehälter
- 07 Antibakterieller Filter
- 08 Verschluss des Wassertanks
- 09 Bedienfeld und Display
- 10 Gerätebasis
- 11 Reinigungsbürste
- 12 Ultraschallscheibe
- 13 Dampftrockendüse


Display 2

- 01 Ein-/Aus-Taste
- 02 Stimmungslicht
- 03 Anzeige Luftfeuchtigkeit/Timer
- 04 Timer-Taste
- 05 Taste Nachtmodus
- 06 Taste Feuchtigkeitsniveau
- 07 Taste Verdampfungsintensität

Vorbereitung vor dem Gebrauch

- 01 Den Luftbefeuchter eine halbe Stunde vor dem Betrieb im jeweiligen Raum aufstellen, damit der sich an die Raumtemperatur anpassen kann.
- 02 Das Gerät muss immer auf einer harten, ebenen und waagrechten Oberfläche aufgestellt werden.

Platzieren Sie das Gerät mit leichtem Abstand zu Wänden und Hitzequellen, wie z. B. Öfen, Heizkörpern usw.

- 03 Stellen Sie die Sauberkeit des Geräts sicher, bevor Sie es einschalten.
- 04 Einsetzen des Filters  3
Der Luftbefeuchter ist mit einem antibakteriellen Filter ausgestattet. Zum Einsetzen muss zunächst der Deckel des Tanks entfernt werden. Anschließend das Dampfrohr durch Drehen entgegen des Uhrzeigersinns abschrauben. Dann die Filterpatrone fest in die Einkerbung einsetzen. Anschließend das Dampfrohr durch Drehen im Uhrzeigersinn am Wassertank befestigen.
- 05 Wassertank befüllen:
 - Stellen Sie sicher, dass der Luftbefeuchter vom Stromnetz getrennt ist.
 - Entfernen Sie den Deckel des Wassertanks und befüllen Sie den Tank mit sauberem, kaltem, destilliertem oder entmineralisiertem Wasser oder
 - entfernen Sie den Wassertank und den Deckel von der Basis und füllen Sie den Wassertank mit Wasser, bevor Sie ihn wieder auf der Basis anbringen. Dabei sicherstellen, dass die Markierungen der Basis und des Tanks übereinstimmen.

Hinweis: Achten Sie beim Befüllen darauf, dass kein Wasser in das Dampfrohr läuft, um sicherzustellen, dass das Wasser direkt aus dem Tank in die Gerätebasis läuft.

Anweisungen

Einschalten des Gerätes

Schließen Sie das Gerät an. Betätigen Sie die „On/Off“-Taste, um das Gerät einzuschalten. Der Luftbefeuchter zeigt die relative Luftfeuchtigkeit an und läuft im zweiten Intensitätsmodus. Das Stimmungslicht ist ausgeschaltet. Betätigen Sie die On/Off-Taste erneut, um das Gerät auszuschalten.

Stimmungslicht

Drücken Sie einmal die Taste „Stimmungslicht“, sodass dieses automatisch zwischen 7 verschiedenen Farben wechselt. Drücken Sie nacheinander dieselbe Taste, um eine Farbe festzulegen und die Funktion schließlich auszuschalten.

Einstellung des Timers

Durch Drücken der Taste „Timer“ wird die Betriebszeit des Luftbefeuchters eingestellt. Es kann zwischen 1 bis 12 Stunden Betriebszeit oder Dauerbetrieb (Co) ausgewählt werden. Nach Einstellen der Zeit wird diese 3 Sekunden lang auf dem Display angezeigt.

Nachtmodus

Drücken Sie die Taste „Nachtmodus“ einmal. Es wird 5P angezeigt und nach 5 Sekunden wird der Nachtmodus aktiviert. Die Dampfintensität ist auf ihrem niedrigsten Niveau, die Stimmungslicht-Funktion läuft nicht und die Kontroll- sowie Anzeigeleuchten sind ausgeschaltet. Betätigen Sie die Taste ein zweites Mal, um den „Nacht“-Modus zu verlassen.

Einstellung der Luftfeuchtigkeit

Sie haben die Möglichkeit, die gewünschte Luftfeuchtigkeit zwischen 40% und 75% einzustellen. Hierfür bitte die Taste „Feuchtigkeitsniveau“ betätigen. Während Sie das Niveau auswählen, wird der Wert angezeigt. Ein paar Sekunden später wird auf dem Display erneut das aktuelle Feuchtigkeitsniveau angezeigt. Ist die tatsächliche Luftfeuchtigkeit höher als die gewählte, stoppt der Luftbefeuchter den Dampf aus und der Ventilator läuft weiter. Wenn die Luftfeuchtigkeit unter 5% des ausgewählten Niveaus liegt, setzt sich der Luftbefeuchter wieder in Betrieb.

Dampfstärke

Es können drei Dampfintensitäten ausgewählt werden (niedrig-mittel-hoch). Hierfür bitte nacheinander die Taste „Dampfintensität“ betätigen.

Filterwechsel

Der Filter ist ein Jahr einsatzbereit. Um ihn zu ersetzen, befolgen Sie vor dem Gebrauch die unter Punkt 4 aufgeführten Anweisungen zur Vorbereitung des Luftbefeuchters auf den Betrieb.

Hinweis: Wurde der Filter in den Wassertank eingebaut und das Gerät wird zum ersten Mal in Betrieb genommen, ist die Dampfintensität während der ersten halben Stunde sehr gering und danach wird sie wieder normal. Bei der ersten Anwendung erzeugt das Wasser viele Luftblasen beim Durchqueren des im Inneren des Filters befindlichen Zeoliths. Nach einer halben Stunde nimmt die Luftblasenmenge ab und die Dampfintensität kehrt auf ein normales Niveau zurück.

Wenn Sie den Luftbefeuchter über einen längeren Zeitraum nicht verwenden, pendelt sich das Dampfniveau nach 30 Minuten wieder auf einem normalen Niveau ein.

Hinweis: Wenn im Tank kein Wasser mehr vorhanden ist, blinkt die rote LED der On/Off-Taste und die Anzeige zeigt den E1-Code an. Füllen Sie den Tank erneut.

Wird der Wassertank nicht auf der Basis platziert, gibt der Luftbefeuchter 3-mal einen Ton ab, die rote LED der On/Off-Taste schaltet sich ein und das Display zeigt den Code E2.

Anwendung von ätherischen Ölen

Um biologische ätherische Öle im Raum zu verbreiten, ein paar Tropfen eines biologischen ätherischen Öls (maximal 3-4) direkt in das Wasser geben und den Wassertank wieder mit dem Deckel verschließen.

⚠ Warnhinweis

Zusätzliche Informationen zur Verwendung ätherischer Öle:

- Bitte informieren Sie sich vor der Verwendung ätherischer Öle über negative Auswirkungen, die der Einsatz solcher Produkte mit sich bringen kann.
- Es müssen immer qualitativ hochwertige ätherische Öle verwendet werden: rein und 100% natürlich sowie für die Verdampfung geeignet. Maßvoll und vorsichtig verwenden. Die Angaben und Sicherheitshinweise auf der Verpackung der ätherischen Öle müssen eingehalten werden, wobei insbesondere Folgendes beachtet werden sollte:
 - Die Verwendung von ätherischen Ölen ist verboten während der Schwangerschaft, für Epileptiker oder Personen mit Asthma oder Allergien sowie für Personen mit Herzproblemen oder schwerwiegenden Erkrankungen.
 - Im Zimmer eines Babys bzw. von Kleinkindern unter 3 Jahren dürfen ätherische Öle nicht länger als 10 Minuten verwendet werden und auch nur, wenn das Baby bzw. Kleinkind sich nicht im Zimmer befindet.
- Kinder und Minderjährige von dem Gerät fernhalten und darauf achten, dass es nicht zum Spielen missbraucht wird.
- Für einen einwandfreien Betrieb und eine angenehme Verbreitung des Aromas reicht die Verwendung von ein paar Tropfen (max. 3 bis 4 Tropfen) ätherischem Öl aus. Bei einem übermäßigen Gebrauch ätherischer Öle kann das Gerät beschädigt werden.
- Lanaform haftet nicht für Schäden, die durch Nichtbeachtung der in dieser Bedienungsanleitung aufgeführten Hinweise entstehen.

Reinigung Pflege



Trennen Sie den Luftbefeuchter immer vom Stromnetz und leeren Sie das Wasser im Tank, bevor Sie ihn reinigen oder aufräumen. Stellen Sie beim Entleeren des Tanks sicher, dass kein Wasser in den Kamin über dem Luftausgang gelangt.

Wenn Sie hartes Wasser verwenden, d. h., wenn das Wasser zu viel Calcium und Magnesium beinhaltet, kann es zu einem weißen Belag im Gerät kommen, was zu starken Ablagerungen an der Oberfläche der Schale, auf dem Transduktor (Keramikplättchen, das Ultraschallwellen produziert) und den Innenwänden des Wasserbehälters führen kann. Bei Schaumbildung auf der Oberfläche des Transduktors kann das Gerät nicht mehr einwandfrei funktionieren.

Unsere Tipps

- 01** Bei jedem Betrieb abgekochtes und abgekühltes Wasser oder destilliertes Wasser verwenden
- 02** Den Wasserbehälter jeden dritten Tag reinigen und den Transduktor einmal pro Woche
- 03** Das Wasser des Tanks regelmäßig wechseln, damit es frisch bleibt und nicht länger als 2 Tage im Wassertank stehen lassen
- 04** Das ganze Gerät reinigen und sicherstellen, dass alle Teile perfekt trocken sind, wenn es nicht in Betrieb ist

Reinigung des Transduktors ☒ 4

- 01 Den Wassertank entfernen.
- 02 2 bis 5 Tropfen Essig auf die Oberfläche geben und 2 bis 5 Minuten einwirken lassen.
- 03 Bürsten Sie die Oberfläche mit der beiliegenden Bürste. Die Oberfläche nicht mit einem harten Gegenstand abschaben.
- 04 Den Transduktor mit klarem Wasser abspülen.
- 05 Verwenden Sie für die Reinigung des Transduktors keine Seife oder andere Substanzen.

Reinigung des Wassertanks

- 01 Den Deckel vom Tank entfernen. Dann das Dampfrohr sowie die Eingangsdüse aus dem Dampfrohr des Tanks entfernen, indem Sie diese beiden Elemente gegen den Uhrzeigersinn drehen.
- 02 Die Wasserschale mit einem weichen Tuch reinigen. Bei Kalkablagerungen

ODER Bildung einer weißen Schicht im Inneren Essig verwenden.

- 03 Sollten sich auf dem Sicherheits-schalter Ablagerungen gebildet haben, diese mit ein paar Tropfen Essig und einer Bürste entfernen.
- 04 Die Schale mit klarem Wasser ausspülen.
- 05 Bringen Sie die Einlaufdüse des Kamins wieder an und stellen Sie sicher, dass die Dreieckmarkierung mit der Markierung des Tanks übereinstimmt, und drehen Sie die Düse dann im Uhrzeigersinn. Anschließend das Dampfrohr wieder im Wassertank einsetzen.

Aufbewahrung

- 01 Reinigen und trocknen Sie den Ultraschall-Luftbefeuchter sorgfältig gemäß den Wartungsanweisungen.
- 02 Lassen Sie ihn vollständig trocknen, bevor Sie ihn aufräumen. Nicht mit Wasser im Inneren aufräumen.
- 03 Das Gerät an einem trockenen und kühlen Ort für Kinder unzugänglich aufbewahren.

Fehlerbehebung

Symptome	Mögliche Ursachen	Lösung
Kein Dampf, keine Kontrollleuchte	Kein Licht	Überprüfen, ob das Gerät mit der Steckdose verbunden ist und ob das Stromnetz nicht gestört ist
	Der Wassertank ist nicht richtig installiert	Überprüfen Sie, ob der Wassertank fest auf der Basis installiert ist
	Der Wassertank hat ein Leck	Überprüfen, ob der Wassertank richtig sitzt
	Die Gerätetemperatur ist zu niedrig	Das Gerät eine halbe Stunde vor dem Gebrauch in einem Zimmer mit Raumtemperatur aufstellen

Symptome	Mögliche Ursachen	Lösung
Wasserdampf mit ungewöhnlichem Geruch	Das Wasser stagniert schon seit zu langer Zeit im Tank	Den Wassertank reinigen und frisches, destilliertes oder demineralisiertes Wasser einfüllen
Geringe Intensität	Zu (wenig) Wasser im Tank	Leeren (befüllen) Sie den Wassertank
	Ablagerungen auf dem Transduktor	Den Transduktor reinigen
	Das Wasser ist zu kalt	Wasser mit Raumtemperatur verwenden
	Das Wasser ist nicht sauber	Den Wassertank reinigen und frisches, destilliertes oder demineralisiertes Wasser einfüllen
Rotes Licht am Zündknopf	Der Wasserstand ist zu niedrig	Trennen Sie das Gerät und befüllen Sie den Wassertank
Ungewöhnlich hoher Geräuschpegel	Der Luftbefeuchter steht nicht auf einer harten, ebenen Oberfläche	Stellen Sie den Luftbefeuchter auf einer harten, ebenen Oberfläche auf

Technische Daten

- Produktreferenz: LA120126
- Stromversorgung:
AC 100-240V, 50-60 Hz
- Maße: 17x17x25.4 cm
- Gewicht: 1.34 kg



Hinweise zur Entsorgung der Umverpackung

Die Umverpackung besteht ausschließlich aus nicht umweltgefährdenden Materialien, die Sie zur Wiederverwertung in der Recyclingstelle Ihrer Gemeinde abgeben können. Der Karton kann in einen Altpapier-Container gegeben werden. Die Verpackungsfolien müssen der Recyclingstelle Ihrer Gemeinde zugeführt werden.

Das Gerät selbst muss ebenfalls unter Rücksichtnahme auf die Umwelt und unter Einhaltung der gesetzlichen Entsorgungsvorschriften entsorgt werden.

Beschränkte Garantie

Lanaform garantiert die Freiheit von Material- und Fabrikationsfehlern des Geräts, und zwar für eine Dauer von zwei Jahren ab Kaufdatum. Dabei gelten folgende Ausnahmen:

Die Lanaform Garantie deckt keine Beschädigungen aufgrund von normaler Abnutzung dieses Gerätes ab. Darüber hinaus erstreckt sich die Garantie auf das Lanaform-Gerät nicht auf Schäden, die auf unsachgemäßen oder übermäßigen Gebrauch, Unfälle, die Verwendung nicht vom Hersteller empfohlener Zubehörteile, Umbauten am Gerät oder auf sonstige Umstände gleich welcher Art zurückzuführen sind, die sich dem Wissen und dem Einfluss von Lanaform entziehen.

Lanaform haftet nicht für Begleit-, Folge- und besondere Schäden.

Alle impliziten Garantien in Bezug auf die Eignung des Gerätes sind auf eine Frist von zwei Jahren ab dem anfänglichen Kaufdatum beschränkt, soweit eine Kopie des Kaufnachweis vorgelegt werden kann.

Auf Garantie eingeschickte Geräte werden von Lanaform nach eigenem Ermessen entweder repariert oder ausgetauscht und an Sie zurückgesendet. Die Garantie gilt nur bei Reparatur im Lanaform Kundendienstzentrum. Bei Reparatur durch einen anderen Kundendienstanbieter erlischt die Garantie.

DE

39 · DEUTSCH

Obsah balení

- 1 Zvlhčovač vzduchu H-200c
- 1 antibakteriální filtr
- 1 návod k použití

Varování

⚠ Před použitím výrobku si prosím přečtete všechny pokyny, zejména tyto základní bezpečnostní pokyny.

📷 Fotografie a jiná vyobrazení výrobku v tomto návodu a na obale jsou co nejvěrnější, ale nemusí zaručovat úplnou shodu s výrobkem.

⚠ Upozornění

Toto zařízení používejte pouze pro účely popsané v tomto návodu. Zvlhčovač je určen pouze pro vnitřní a domácí použití. Toto zařízení mohou používat děti ve věku 8 let a starší a osoby se sníženými fyzickými, smyslovými nebo duševními schopnostmi nebo s nedostatkem zkušeností a vědomostí, pokud jsou pod dohledem nebo byly poučeny o bezpečném používání zařízení a chápou související rizika. **Děti si s přístrojem nesmějí hrát. Čištění a údržbu nesmí provádět děti bez dozoru. Děti si s přístrojem**

nesmějí hrát. **Ověřte**, zda napětí ve vaší elektrické síti odpovídá údajům o napětí přístroje. **Nepoužívejte příslušenství**, které společnost Lanaform nedoporučila nebo které nebylo dodáno s výrobkem. **Nerozebírejte celé zařízení ani jeho základní jednotku. Dbejte na to**, aby na výrobek nikdy nic nespadlo, a nikdy nevkládejte do žádného otvoru žádný předmět. **Nepoužívejte toto zařízení**, pokud je elektrická zásuvka poškozena, pokud nefunguje správně, pokud spadla na zem nebo pokud je poškozena nebo pokud spadla do vody. **V** takovém případě nechte zařízení zkontrolovat a opravit dodavatelem nebo jeho poprodejním servisem. **V** případě poškození elektrického kabelu je nutné jej nahradit obdobným kabelem, který získáte od dodavatele nebo v jeho servisním středisku. **Nikdy nepoužívejte toto zařízení v místnosti**, kde se používají aerosolové přípravky (spreje), nebo v místnosti, kde se podává kyslík. **Zařízení, které spadlo do vody, ihned odpojte od sítě**

a až poté ho vyndejte. **E**lektrický kabel udržujte mimo horké povrchy. **N**ení-li v nádržce voda, přístroj nezapínejte. **N**epoužívejte zvlhčovač, pokud je nádržka poškozená nebo prasklá. **O**dpojte napájecí kabel, když se přístroj delší dobu nepoužívá nebo když nikdo není doma. **E**lektrická zařízení nikdy nenechávejte bez dozoru. **P**okud přístroj nepoužíváte, odpojte ho ze zásuvky. **N**epřipojujte ani neodpojujte elektrickou zástrčku od zařízení mokřýma rukama. **N**ezakrývejte přístroj oděvy ani jinými látkami. **P**okud je tryska ucpaná, může to způsobit poruchu přístroje. **N**eumísťujte zvlhčovač na místo, kde hubice rozprašovače směřuje páru přímo k osobě nebo předmětu. **N**epoužívejte zvlhčovač, pokud je vzduch v místnosti již dostatečně vlhký (nejméně 50% relativní vlhkosti). **I**deální relativní vlhkost vzduchu, kterou lidské tělo pociťuje jako nejpříjemnější, se pohybuje od 45% do 55%. **P**řebytečná vlhkost se projevuje kondenzací na studených površích nebo studených stěnách místnosti. **C**hce-li správně určit úroveň vlhkosti v místnosti, použijte vlhkoměr

dostupný ve většině specializovaných prodejen a supermarketů. **U**vědomte si, že vysoká vlhkost může v přírodě podporovat růst biologických organismů. **P**ři přenášení nedržte přístroj za elektrický kabel a nepoužívejte elektrický kabel jako rukojeť. **P**ři přenášení přístroj zvedejte za základnu, nikoli za nádržku na vodu. **Z**vlhčovač vždy umístěte na tvrdý a rovný vodorovný povrch. **U**místěte ho mírně od stěn a zdrojů tepla, jako jsou kamna, radiátory atd. **P**ozor: Pokud přístroj neumísíte na vodorovnou plochu, může se stát, že nebude správně fungovat. **N**enechávejte přístroj vystavený přímo slunečním paprskům. **D**o nádržky lijte destilovanou nebo demineralizovanou čistou čerstvou vodu. **N**etřeste přístrojem. **M**ohlo by to způsobit přetečení vody do základní jednotky a ovlivnit její provoz. **N**ikdy se nedotýkejte vody a komponentů, když je jednotka v chodu. **N**evyjímejte nádržku, když je zvlhčovač v chodu. **N**epijte vodu přímo z nádržky ani nevdechujte páru vypouštěnou zvlhčovačem. **P**okud se během používání popsaného v této příručce vyskytne neobvyklý

zápach, vypněte přístroj, odpojte jej a nechte jej zkontrolovat dodavatelem nebo jeho poprodejním servisem. **Nedovolte**, aby byl prostor kolem zvlhčovače vlhký nebo mokrý. **V** případě nadměrné vlhkosti snižte intenzitu páry. **Pokud** ji nelze snížit, používejte zvlhčovač přerušovaně. **Nedovolte**, aby zvlhly savé materiály, jako jsou koberce, záclony, závěsy nebo ubrusy. **Nelijte** do nádržky teplou vodu, tedy vodu o teplotě vyšší než 40 °C. **Odpojte** zařízení po jeho použití, před jeho čištěním nebo před vyjmutím nádržky. **Nemyjte** celou jednotku vodou ani ji neponořujte do vody, viz pokyny k čištění v této příručce. **Měnič** přístroje nikdy neoškrabávejte tvrdými nástroji. **Zvlhčovač** je třeba pravidelně čistit. **Řiďte** se pokyny k čištění uvedenými v této příručce a dodržujte je. **Nepoužívejte** esenciální oleje, jejichž použití při difuzi se nedoporučuje. **Přečtěte** si prosím rady týkající se používání esenciálních olejů v této příručce. **Nepoužívejte** syntetické parfémy nebo esence, mohlo by dojít k poškození přístroje.

Úvod

Děkujeme, že jste si vybrali zvlhčovač H-200C s připojením od společnosti Lanaform. Zvlhčovač pomáhá obnovit správnou vlhkost vzduchu a odstranit nepříjemné pocity vyvolané suchým vzduchem. Ventilační systém rozptyluje vodu ve formě studené páry a zajišťuje tak požadovanou úroveň vlhkosti. Tato pára vystupuje z hubice přístroje jako mlha.

Aplikace Lanaform Connect

Zvlhčovač vzduchu můžete přes Wi-Fi připojit ke smartphonu. Chcete-li to provést, stačí si stáhnout bezplatnou aplikaci **Lanaform Connect**. Aplikaci **Lanaform Connect** naleznete v App Store (IOS) a na Google Play (Android™).

Aplikace **Lanaform Connect** nabízí následující funkce:

- Ovládání a zobrazení úrovně relativní vlhkosti ve vzduchu.
- Regulace intenzity emisí páry
- Kontrola doby používání
- Ovládání okolního světla
- Ovládání nočního režimu
- Zobrazení hladiny vody

Systemové požadavky: iOS 10.0 nebo vyšší, Android™ 5.0 nebo vyšší, Bluetooth® 4.0 nebo vyšší, připojení Wi-Fi 2.4 GHz.

ⓘ Poznámka

Stejně základní funkce zvlhčovače můžete používat i bez aplikace **Lanaform Connect**.

Připojte zvlhčovač vzduchu k aplikaci Lanaform Connect

- 01** Postupujte podle pokynů v kapitole „Příprava před použitím“.
- 02** Zapojte zástrčku k elektrické síti. Umístěte kabel tak, aby o něj nikdo nemohl zakopnout.

- 03** Chcete-li zvlhčovač vzduchu zapnout, stiskněte tlačítko On/Off.

i Poznámka

Symbol WI-FI rychle bliká (☞). Pokud se tak nestane, resetujte přístroj stisknutím tlačítka „ambientní světlo“ na několik sekund.

- Zkontrolujte, zda je smartphonem připojen k síti Wi-Fi.
- Stáhněte bezplatnou aplikaci Lanaform Connect v App Store (IOS) nebo v Google Play (Android™).
- Spusťte aplikaci Lanaform Connect a postupujte podle pokynů.
- Klikněte na Connect a New Device (Připojit nový přístroj) nebo stiskněte tlačítko + v horní části displeje. Podle pokynů na obrazovce připojte zvlhčovač vzduchu k síti.

i Poznámka

V závislosti na nastavení smartphonu mohou být účtovány další náklady na připojení k internetu nebo přenos dat.

Tento pokyn je platný pouze při prvním nastavování zvlhčovače.

Popis

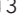
Přístroj 1

- 01** Hubice rozprašovače
- 02** Kryt nádržky na vodu
- 03** Rukojeť pro přenášení
- 04** Ambientní světlo
- 05** Mlhový komínek
- 06** Nádobka na vodu
- 07** Antibakteriální filtr
- 08** Uzávěr nádoby na vodu
- 09** Ovládací panel a displej
- 10** Základna zařízení
- 11** Čisticí kartáč
- 12** Ultrazvukový disk
- 13** Hubice mlhového komínku

Zobrazovací panel 2

- 01** Tlačítko On/Off
- 02** Tlačítko Ambientní světlo
- 03** Zobrazení vlhkosti/časovače
- 04** Tlačítko časovače
- 05** Tlačítko nočního režimu
- 06** Tlačítko stupně vlhkosti
- 07** Tlačítka intenzity emisí

Příprava před použitím

- 01** Umístěte zvlhčovač do místnosti půl hodiny před jeho zapnutím tak, aby se přizpůsobil okolní teplotě.
- 02** Ujistěte se, že je vždy umístěn na tvrdém, rovném a vodorovném povrchu. Umístěte ho mírně od stěn a zdrojů tepla, jako jsou kamna, radiátory...
- 03** Než začnete přístroj používat, ujistěte se, že je čistý.
- 04** Umístění filtru  3
Zvlhčovač je vybaven antibakteriálním filtrem. Chcete-li jej dát na místo, nejprve odstraňte kryt nádržky a mlhový komínek tím, že jej vyšroubujete proti směru hodinových ručiček. Poté pevně vložte filtrační kartuši do zářezu. Následně vraťte mlhový komínek na nádržku jeho našroubováním ve směru hodinových ručiček.
- 05** Chcete-li naplnit nádržku na vodu:
 - Ujistěte se, že je zvlhčovač odpojen.
 - Sejměte kryt z nádržky na vodu a naplňte nádržku čistou čerstvou, destilovanou nebo demineralizovanou vodou nebo
 - Vyjměte nádržku na vodu a její kryt ze základny a naplňte ji vodou před tím, než ji umístíte zpět na základnu, přitom se ujistěte, že označení základny a nádržky odpovídá.

Poznámka: Při plnění dbejte na to, aby se voda nedostala do mlhového komínku, abyste zajistili,

že voda bude vstříkována přímo z nádržky do základny přístroje.

Instrukce

Spuštění přístroje

Přístroj zapojte do sítě. Jedním stisknutím tlačítka "On/Off" přístroj zapněte. Zvlhčovač ukazuje relativní vlhkost vzduchu a pracuje na druhém stupni intenzity. Ambientní světlo je vypnuté. Opětovným stisknutím tlačítka Zapnout/Vypnout přístroj vypněte.

Ambientní světlo

Jedním stisknutím tlačítka „Ambientní světlo“ bude světlo automaticky cirkulovat 7 barvami. Stisknutím téhož tlačítka postupně vyberte barvu a nakonec ji vypněte.

Nastavení časovače

Stisknutím tlačítka „Časovač“ upravte provozní dobu zvlhčovače. Je možné zvolit čas od 1 do 12 hodin provozu nebo kontinuální režim (Co). Jakmile je provozní doba zvolena, zobrazí se po dobu 3 sekund na displeji.

Noční režim

Jednou stisknete tlačítko „Noční režim“. Zobrazí se údaj 5P a po 5 sekundách se aktivuje noční režim. Intenzita páry je nejnižší, ambientní světla jsou vypnutá a kontrolky na displeji a ovládací obrazovce jsou vypnuté. Druhým stisknutím „noční“ režim vypnete.

Nastavení vlhkosti

Máte možnost nastavit požadovanou vlhkost mezi 40% a 75%. Chcete-li to provést, stiskněte tlačítko „vlhkost“. Při volbě míry vlhkosti se zobrazuje příslušná hodnota. Po několika sekundách se na displeji opět zobrazí aktuální úroveň vlhkosti. Pokud je skutečná úroveň vlhkosti vyšší než zvolená, zvlhčovač přestane vypouštět páru a ventilátor pokračuje v provozu. Když je vlhkost nižší o 5% než zvolená úroveň, zvlhčovač se znovu spustí.

Intenzity páry

Je možné zvolit tři intenzity par (nízká-středně vysoká-vysoká). Chcete-li to provést, stiskněte opakovaně tlačítko „intenzita vypouštění“.

Výměna filtru

Životnost filtru je jeden rok. Chcete-li jej vyměnit, postupujte podle pokynů popsaných v bodě 4 přípravy zvlhčovače vzduchu k použití.

Poznámka: Po instalaci filtru do nádržky a prvním zapnutí přístroje bude intenzita páry první půlhodinu velmi nízká, poté se vrátí k normálu. Při prvním použití vytváří voda při průchodu zeolitem uvnitř filtru velké množství vzduchových bublinek. Po půl hodině je vzduchových bublin mnohem méně a intenzita páry se vrátí do normálu.

Pokud zvlhčovač delší dobu nepoužíváte, bude také trvat 30 minut, než se intenzita páry vrátí do normálu.

Poznámka: Když v nádržce není žádná voda, červené světlo na tlačítku On / Off bliká a na displeji se zobrazí kód E1. Doplňte vodu v nádržce.

Pokud nádržka není umístěna na základně, zvlhčovač třikrát zapípá, červená kontrolka na tlačítku On / Off se rozsvítí a na displeji se zobrazí kód E2.

Použití esenciálních olejů

Chcete-li v místnosti rozptýlit organické esenciální oleje, nalijte několik kapek organických esenciálních olejů (maximálně 3-4) přímo do vody a poté znovu nasadte kryt nádržky.

⚠ Varování

Další informace o používání esenciálních olejů

- Před použitím esenciálních olejů se prosím informujte o možných negativních účincích těchto produktů na zdraví.
- Vždy vybírejte kvalitní esenciální oleje: čisté a 100% přírodní a určené pro difuzi. Používejte je s mírou

a opatrně. Dodržujte údaje a varování uvedené na obalu esenciálních olejů, zejména dbejte na to, že:

- Použití esenciálních olejů je zakázáno těhotným ženám a osobám trpícím epilepsií, astmatem nebo alergií, osobám se srdečními problémy nebo závažným onemocněním.
- V dětském pokoji (do 3 let věku dítěte) lze esenciální oleje používat maximálně 10 minut a pouze v době, kdy dítě není v místnosti přítomno.
- Dbejte na to, aby si s přístrojem nehrály a nepoužívaly jej děti a mladiství.
- K zajištění správné funkce přístroje a rozptýlení vůně stačí pouze několik kapek (maximálně 3 až 4 kapky) esenciálních olejů. Nadměrné používání esenciálních olejů by mohlo přístroj poškodit.
- Společnost Lanaform nenese odpovědnost za poškození přístroje způsobené nevhodným použitím, které neodpovídá pokynům uvedeným v této příručce.

Čištění

Údržba



Před čištěním nebo uskladněním zvlhčovač vždy vypněte a vypustěte vodu z nádržky. Při vypouštění vody z nádržky dbejte na to, aby se voda nedostala přes výstup vzduchu do komínku.

Je-li voda tvrdá, tedy obsahuje příliš vápníku a hořčíku, může se v přístroji usazovat „bílý prášek“ a na hladině v nádržce, na měniči (keramické kolečko vytvářející ultrazvuk) a na vnitřních stěnách nádržky se může vytvářet hustá pěna. Pokud se na povrchu měniče vytvoří pěna, nemůže přístroj správně fungovat.

Doporučujeme

- 01 Pro každé použití použijte převařenou a ochlazenou vodu nebo destilovanou vodu.

- 02 Nádržku čistěte každé 3 dny a měnič každý týden.
- 03 Pravidelně měňte vodu v nádržce tak, aby zůstala čerstvá, nenechávejte ji tam déle než 2 dny.
- 04 Pokud přístroj nepoužíváte, vyčistěte ho a ujistěte se, že všechny jeho části jsou dokonale suché.

Čištění měniče 4

- 01 Vyměňte nádržku na vodu.
- 02 Na povrch naneste 2-5 kapek octa a nechte působit 2 až 5 minut.
- 03 Přiloženým kartáčkem odstraňte z povrchu vodní kámen. Povrch neoškrabujte tvrdým nástrojem.
- 04 Propláchněte měnič čistou vodou.
- 05 K čištění měniče nepoužívejte mýdlo ani jiné zásadité přípravky.

Čištění nádržky

- 01 Sejměte kryt nádržky. Poté vyjměte mlhový komínek a jeho vstupní trysku z nádržky otáčením těchto dvou prvků proti směru hodinových ručiček.
- 02 Očistěte nádržku vodou a měkkým hadříkem, případně octem, pokud se uvnitř vytvořil vodní kámen NEBO vápenaté usazeniny.
- 03 Pokud je bezpečnostní spínač pokrytý vodním kamenem, kápněte na něj několik kapek octa a vyčistěte jej kartáčkem.
- 04 Propláchněte nádržku čistou vodou.
- 05 Vraťte vstupní trysku komínku na místo, ujistěte se, že trojúhelníková značka odpovídá značce na nádržce a poté otočte trysku ve směru hodinových ručiček. Poté vraťte na nádržku komínek.

Skladování

- 01 Ultrazvukový zvlhčovač důkladně vyčistěte a vysušte podle pokynů k údržbě.

02 Před uložením ho nechte zcela vyschnout. Neskladujte ho s vodou v základně.

03 Přístroj skladujte na suchém, chladném místě mimo dosah dětí.

Řešení problémů

Příznaky	Možné příčiny	Řešení
Nevychází pára, nesvítí kontrolka	Nesvítí světlo	Zkontrolujte, zda je přístroj zapojen do zásuvky a zda nedošlo k výpadku elektrické sítě
	Nádržka není správně nainstalována	Zkontrolujte, zda je nádržka správně umístěna na základně
	Únik vody z nádržky	Zkontrolujte, zda je nádržka správně nasazena
	Teplota jednotky je příliš nízká	Umístěte jednotku do místnosti půl hodiny před použitím
Pára vydává nezvyklý zápach	V nádržce příliš dlouhou dobu stojí voda	Vyčistěte nádržku a nalijte do ní čistou, čerstvou, destilovanou nebo demineralizovanou vodu
Nízká intenzita	V nádržce je příliš mnoho (příliš málo) vody	Vypusťte (přidejte) vodu z (do nádržky)
	Vodní kámen na měniči	Měníč očistěte
	Voda je příliš studená	Používejte vodu pokojové teploty
	Voda není čistá	Vyčistěte nádržku a nalijte do ní čistou, čerstvou, destilovanou nebo demineralizovanou vodu
Červené světlo na tlačítku zapínání	Hladina vody je příliš nízká	Odpojte přístroj a naplňte nádržku
Abnormálně vysoká hladina hluku	Zvlhčovač není umístěn na tvrdém, rovném povrchu	Ujistěte se, že je zvlhčovač umístěn na tvrdém, rovném povrchu

CS

Technické údaje

- Referenční číslo produktu: LA120126
- Přívod: AC 100-240V, 50-60 Hz
- Rozměry: 17x17x25.4 cm
- Hmotnost: 1.34 kg



Rady z oblasti likvidace odpadů

Celé balení je tvořeno materiály bez nebezpečných dopadů na životní prostředí, které tedy lze ukládat ve střediscích pro třídění odpadu za účelem následného druhotného využití. Papírový obal lze vyhodit do kontejnerů k tomu určených. Ostatní obalové materiály musí být předány do recyklačního střediska.

V případě ztráty zájmu o další používání tohoto zařízení je zlikvidujte způsobem ohleduplným k životnímu prostředí a v souladu s platnou právní úpravou.

Omezená záruka

Společnost Lanaform se zaručuje, že tento výrobek je bez jakékoliv vady materiálu či zpracování, a to od data prodeje po dobu dvou let, s výjimkou níže uvedených specifikací.

Záruka společnosti Lanaform se nevztahuje na škody způsobené běžným používáním tohoto výrobku. Mimo jiné se záruka v rámci tohoto výroku společnosti Lanaform nevztahuje na škody způsobené chybným nebo nevhodným používáním či jakýmkoliv špatným užíváním, nehodou, připojením nedovolených doplňků, změnou provedenou na výrobku či jiným zásahem jakékoliv povahy, na který nemá společnost Lanaform vliv.

Společnost Lanaform nenese odpovědnost za jakoukoliv škodu na doplňcích, ani za následné či speciální škody.

Veškeré záruky vztahující se na způsobilost výrobku jsou omezeny na období dvou let od prvního zakoupení pod podmínkou, že při reklamaci musí být předložen doklad o zakoupení tohoto zboží.

Po přijetí zboží k reklamaci, společnost Lanaform v závislosti na situaci toto zařízení opraví či nahradí a následně vám ho odešle zpět. Záruku lze uplatňovat výhradně prostřednictvím Servisního střediska společnosti Lanaform. Jakákoliv údržba tohoto zařízení, která by byla svěřena jiné osobě než pracovníkům Servisního střediska společnosti Lanaform, ruší platnost záruky.

CS

47 · ČEŠTINA

Vsebina embalaže

- 1 vlažilnik H-200c
- 1 antibakterijski filter
- 1 navodila za uporabo

Opozorila

⚠ Pred uporabo kompleta za manikuro/pedikuro preberite vsa navodila, zlasti glavna varnostna opozorila

📷 Fotografije in druge predstavitve izdelka v teh navodilih in na embalaži so kar se da zveste, vendar morebiti kljub temu ne zagotavljajo popolne podobnosti z izdelkom.

⚠ Opozorilo

Napravo uporabljajte samo v skladu z navodili za uporabo, opisanimi v tem priročniku. Vlažilnik zraka je zasnovan samo za notranjo in gospodinjsko uporabo. To napravo lahko uporabljajo otroci, stari 8 let ali več, in osebe z zmanjšanimi fizičnimi, čutilnimi ali duševnimi sposobnostmi ali s pomanjkanjem izkušenj in znanja, če so pod nadzorom ali so prejeli navodila v zvezi z varno uporabo naprave in razumejo tveganja. **Otroci se ne smejo igrati z napravo. Otroci**

naprave ne smejo čistiti in vzdrževati brez nadzora. **Otroci se ne smejo igrati z napravo. Preverite, ali napetost električnega omrežja ustreza napetosti, označeni na napravi. Uporabljajte le dodatno opremo, ki jo priporoča Lannaform ali je priložena aparatu. Ne razstavljajte niti celotne naprave niti podstavka. Nikoli ničesar ne spuščajte ali vstavljajte v nobeno odprtino. Naprave ne uporabljajte, če je vtičnica poškodovana, če ne deluje pravilno, če je padla na tla, če je poškodovana ali če je padla v vodo. Napravo naj pregleda in popravi dobavitelj ali njegov poprodajni servis. Če je napajalni kabel poškodovan, ga je treba zamenjati s podobnim kablom, ki je na voljo pri dobavitelju ali njegovi servisni službi. Naprave nikoli ne uporabljajte v prostoru, kjer se uporabljajo aerosolni izdelki (razpršilci), ali v prostoru, kjer se dovaja kisik. Če pade naprava v vodo, jo takoj odklopite in šele nato povlecite iz vode. Napajalni kabel hranite stran od vročih površin. Naprave ne smete**

vklopiti, dokler zbiralnika ne napolnite z vodo. **Ne** uporabljajte vlažilnika, če je zbiralnik poškodovan ali razpokan. **Izključite** napajalni kabel, ko izdelka dlje časa ne boste uporabljali ali ko ni nikogar doma. **Električna** naprava nikoli ne sme ostati priključena brez nadzora. **Ko** ga ne uporabljate, ga odklopite. **Električnega** vtiča ne vstavljajte ali odstranjujte iz naprave z mokrimi rokami. **Na** napravo ne polagajte oblačil ali brisač. **Če** je šoba zamašena, lahko povzroči okvaro naprave. **Izogibajte** se postavljanju vlažilnika na mesto, kjer izliv difuzorja usmerja paro neposredno na osebo ali predmet. **Vlažilnika** ne uporabljajte, če je zrak v prostoru že dovolj vlažen (vsaj 50% relativna vlažnost). **Pri**merne relativna vlažnost zraka za udobno bivanje je namreč med 45 in 55%. **Prekomerna** vlaga se kaže kot kondenzacija na hladnih površinah ali hladnih stenah v prostoru. **Za** pravilno določitev stopnje vlažnosti v prostoru uporabite higrometer, ki je na voljo v večini specializiranih trgovin in supermarketov. **Bodite** pozorni na dejstvo, da

visoka vlažnost lahko spodbudi rast bioloških organizmov v naravi. **Aparata** ne prenašajte tako, da ga držite za električni kabel, oziroma kabla ne uporabljajte kot ročaj. **Pri** prenašanju napravo držite za podstavek in ne za zbiralnik za vodo. **Vlažilnik** zraka vedno postavite na trdo, ravno in vodoravno površino. **Odmaknite** ga nekoliko stran od sten in virov toplote, kot so peči, radiatorji itd. **Pozor!** **Če** naprave ne postavite na vodoravno podlago, morda ne bo delovala pravilno. **Naprave** ne puščajte izpostavljenе neposredni sončni svetlobi. **Zbiralnik** napolnite z destilirano ali demineralizirano čisto in svežo vodo. **Naprave** ne stresajte. **To** lahko povzroči prelihanje vode v podstavek in vpliva na njegovo delovanje. **Med** delovanjem enote se nikoli ne dotikajte vode in komponent. **Ne** odstranjujte zbiralnika, ko vlažilnik deluje. **Ne** pijte vode neposredno iz zbiralnika in ne vdihavajte pare, ki jo oddaja vlažilnik. **Če** se med uporabo, opisano v tem priročniku, pojavi nenavaden vonj, izklopite aparat, ga izključite iz električnega omrežja

in naj ga pregleda dobavitelj ali njegova poprodajna služba. **Ne** dovolite, da bi območje okoli vlažilnika postalo vlažno ali mokro. **V** primeru prekomerne vlažnosti zmanjšajte jakost pare. **Če** tega ni mogoče zmanjšati, vlažilnik uporabljajte občasno. **V**poj-ni materiali, kot so preproge, zavese, zastorji ali namizni prtji, ne smejo postati vlažni. **V** zbiralnik ne smete naliti vroče vode, to je vode s temperaturo, višjo od 40°C. **Napravo** po uporabi izključite iz električnega omrežja, preden jo očistite ali odstranite zbiralnik. **Celotne** enote ne umivajte z vodo ali je potaplajte v vodo, glejte navodila za čiščenje v tem priročniku. **Pazite**, da pretvornika ne opraskate s trdimi pripomočki. **Vlažilnik** zraka je treba redno čistiti. **Za** čiščenje preberite navodila za čiščenje v tem priročniku in jih upoštevajte. **Ne** uporabljajte eteričnih olj, katerih uporaba v difuziji ni priporočljiva. **Če** želite uporabiti eterična olja, si oglejte nasvete za uporabo eteričnih olj v tem priročniku. **Ne** uporabljajte sintetičnih parfumov ali esenc, saj lahko poškodujete napravo.

Predstavitev

Zahvaljujemo se vam, ker ste izbrali povezani vlažilnik H 200C družbe Lanaform. Vlažilnik zraka vam pomaga vzpostaviti ustrezno raven vlažnosti in odpravi nelagodje, povezano s suhim zrakom. Prezračevalni sistem razprši vodo v obliki hladne pare in tako zagotovi želeno stopnjo vlažnosti. Para se skozi razpršilno šobo razpršuje v obliki meglice.

Aplikacija Lanaform Connect

Vlažilnik zraka lahko povežete s pametnim telefonom prek Wi-Fi-ja. Za uporabo te funkcije morate samo prenesti brezplačno aplikacijo **Lanaform Connect**. Aplikacija **Lanaform Connect** je na voljo v spletnih trgovinah App Store (iOS) in Google Play (Android™).

Aplikacija **Lanaform Connect** ponuja naslednje funkcije:

- Nadzor in prikaz relativne vlažnosti zraka.
- Nadzor intenzivnosti izpusta pare.
- Nadzor časa uporabe.
- Nadzor ambientalne svetlobe.
- Nadzor nočnega načina.
- Prikaz nivoja vode.

Sistemske zahteve: iOS ≥ 11.0, Android™ ≥ 5.0, Bluetooth® ≥ 4.0, domače omrežje Wi-Fi 2.4Ghz.

ⓘ Prosimo, upoštevajte

Iste osnovne funkcije vlažilnika lahko uporabljate tudi brez aplikacije **Lanaform Connect**.

Povežite vlažilnik zraka z aplikacijo Lanaform Connect

- 01** Sledite navodilom v poglavju »Priprava pred uporabo«.
- 02** Priklopite napravo na električno omrežje. Kabel postavite tako, da se ne more nihče spotakniti obenj.
- 03** Za izklop naprave pritisnite tipko ON/OFF.

📌 Prosimo, upoštevajte

Simbol WI-FI hitro utripa (📶). Če temu ni tako, »ponastavite« napravo tako, da nekaj sekund pritisnete gumb »mood light«.

- Preverite, ali je vaš pametni telefon povezan z omrežjem Wi-Fi.
- Iz spletne trgovine App Store (iOS) ali Google Play (Android™) prenesite brezplačno aplikacijo Lanaform Connect.
- Zaženite aplikacijo Lanaform Connect in sledite navodilom.
- Kliknite na Connect a New Device (poveži novo napravo) ali pritisnite gumb na vrhu zaslona. Sledite navodilom na zaslonu, da povežete vlažilnik z omrežjem.

📌 Prosimo, upoštevajte

Ovisno od nastavitve pametnega telefona lahko internetna povezava ali prenos podatkov povzročita dodatne stroške.

To navodilo velja samo, ko vlažilnik prvič konfigurirate.

Opis

Naprava 📦 1

- 01 Razpršilna šoba
- 02 Pokrov zbiralnika za vodo
- 03 Ročaj za prenašanje
- 04 Ambientalna osvetlitev
- 05 Parni kamin
- 06 Zbiralnik za vodo
- 07 Antibakterijski filter
- 08 Pokrovček zbiralnika za vodo
- 09 Nadzorna plošča in zaslon
- 10 Osnova naprave
- 11 Ščetka za čiščenje
- 12 Ultrazvočni disk
- 13 Šoba za parni kamin

Oglasni pano 📦 2

- 01 Gumb za vklop/izklop
- 02 Tipka razpoloženske lučke

- 03 Prikaz vlažnosti/časovnika
- 04 Tipka časovnika
- 05 Gumb za nočni način
- 06 Ključ stopnje vlažnosti
- 07 Tipka za intenzivnost prenosa

Priprava pred uporabo

- 01 Vlažilnik zraka postavite v prostor pol ure pred vklopom, da se prilagodi sobni temperaturi.
- 02 Poskrbite, da bo vedno postavljen na trdo, ravno in vodoravno površino. Naj bo nekoliko stran od sten in virov toplote, kot so peči, radiatorji...
- 03 Preden začnete uporabljati napravo, se prepričajte, da je čista.
- 04 Namestitev filtra 📦 3
Vlažilnik je opremljen z antibakterijskim filtrom. Če ga želite namestiti, najprej odstranite pokrov zbiralnika in dimnik za izpust pare, tako da ga obrnete v nasprotni smeri urnega kazalca. Nato trdno vstavite filtrirni vložek v njegovo zarezo. Nato dimnik za oddajanje hlapov zamenjajte z zbiralnikom tako, da dimnik zavrtite v smeri urnega kazalca.
- 05 Za polnjenje zbiralnika za vodo:
 - Prepričajte se, da je vlažilnik izklopljen iz električnega omrežja.
 - Odstranite pokrov z zbiralnika za vodo in napolnite zbiralnik s čisto, svežo, destilirano ali demineralizirano vodo oz.
 - Odstranite zbiralnik za vodo in njegov pokrov s podstavka in ga napolnite z vodo, preden ga znova namestite na podstavek, pri čemer pazite, da se oznaki na podstavku in zbiralniku ujemata.

Prosimo, upoštevajte: Pri polnjenju pazite, da voda ne pride v parni dimnik, da zagotovite, da se voda vbrizga neposredno iz zbiralnika v podstavek naprave.

Navodila

Zagon naprave

Priključite napravo. Za vklop naprave enkrat pritisnite gumb za vklop/izklop. Vlažilnik prikazuje relativno vlažnost in deluje na drugi stopnji intenzivnosti. Ambientalna osvetlitev je izklopljena. Še enkrat pritisnite gumb za vklop/izklop, da izklopite napravo.

Ambientalna osvetlitev

Enkrat pritisnite gumb »Mood Light« in samodejno se bo izmenjevalo 7 barv. Zaporedoma pritisnite isto tipko, da izberete fiksno barvo in jo na koncu izklopite.

Nastavitev časovnika

Pritisnite gumb »Časovnik«, da nastavite čas delovanja vlažilnika. Izbirate lahko med 1 h in 12 h delovanja ali neprekinjenim načinom (Co). Ko je trajanje izbrano, bo prikazano na zaslonu za 3 sekunde.

Nočni način

Enkrat pritisnite gumb »Nočni način«. Prikaže se indikacija 5P in po 5 sekundah se vključi nočni način. Intenzivnost pare je na najnižji ravni, ambientalna osvetlitev je ugasnjena, indikatorske lučke na zaslonu in nadzornem zaslonu ne svetijo. Za izhod iz nočnega načina še enkrat pritisnite tipko.

Nastavitev stopnje vlažnosti

Želena stopnjo vlažnosti lahko nastavite med 40% in 75%. Če želite to narediti, pritisnite gumb »Stopnja vlažnosti«. Vrednost se prikaže, medtem ko izbirate stopnjo. Po nekaj sekundah se na zaslonu ponovno prikaže trenutna stopnja vlažnosti. Če je dejanska stopnja vlažnosti višja od izbrane, vlažilnik preneha oddajati paro in ventilator deluje naprej. Ko je raven vlažnosti nižja od 5% izbrane ravni, bo vlažilnik ponovno deloval.

Stopnje razprševanja pare

Izbirate lahko med tremi jakostmi pare (nizka-srednja-visoka). Če želite to narediti, zaporedoma pritisnite tipko »Intenzivnost emisije«.

Zamenjava filtra

Filter ima življenjsko dobo eno leto. Za zamenjavo sledite navodilom, opisanim v 4. točki priprave vlažilnika za uporabo.

Prosimo, upoštevajte: Ko je filter nameščen v zbiralniku za vodo in stroj prvič vklopite, bo jakost pare prve pol ure zelo nizka, nato pa se vrne v normalno stanje. Dejansko med prvo uporabo voda ustvari veliko zračnih mehurčkov, ko prečka zeolit, ki se nahaja znotraj filtra. Po pol ure je zračnih mehurčkov veliko manj in intenzivnost pare se povrne na normalno.

Če vlažilnika dlje časa ne uporabljate, bo trajalo tudi 30 minut, da se stopnja uparjanja vrne na normalno.

Prosimo, upoštevajte: Ko v zbiralniku ni več vode, utripa rdeča lučka na gumbu za vklop/izklop in na zaslonu se prikaže koda E1. Ponovno napolnite zbiralnik.

Če zbiralnik ni postavljen na podstavek, vlažilnik 3-krat zapiska, zasveti rdeča lučka gumba za vklop/izklop in na zaslonu se prikaže koda E2.

Uporaba eteričnih olj

Za razpršitev organskih eteričnih olj v prostoru kanite nekaj kapljic organskih eteričnih olj (največ 3-4) neposredno v vodo in nato ponovno namestite pokrov zbiralnika.

⚠ Opozorilo

Dodatne informacije o uporabi eteričnih olj

- Pred uporabo eteričnih olj se pozanimajte o negativnih učinkih na zdravje, ki jih lahko povzročijo uporaba tovrstnih izdelkov.
- Vedno izberite kakovostna eterična olja: čista in 100-% naravna ter namenjena

razprševanju. Uporabljajte jih zmer-
no in previdno. Upoštevajte naved-
be in opozorila na embalaži eterič-
nih olj, pri čemer zagotovite zlasti, da:

- Uporaba eteričnih olj je prepoveda-
na nosečnicam in osebam z epilepsi-
jo ali astmo ali alergijami, osebam s srč-
nimi težavami ali resnimi patologijami.
- V otroški sobi (otroci mlajši od 3 let)
uporaba eteričnih olj ne sme biti
daljša od 10 minut in to samo tak-
rat, ko dojenčka ni v sobi.
- Preprečite, da bi se z napravo igrali ali jo
uporabljali otroci in mladoletne osebe.
- Le nekaj kapljic (največ 3 do 4 kaplji-
ce) eteričnih olj zadostuje za pravil-
no delovanje naprave in razširjanje
dišave. Prekomerna uporaba eterič-
nih olj lahko poškoduje napravo.
- Podjetje Lanaform ne odgovarja za mo-
rebitno škodo, ki je posledica upo-
rabe, ki ni skladna z načinom upo-
rabe, opisanim v teh navodilih.

Čiščenje

Vzdrževanje



Pred čiščenjem ali shranjevanjem vlažilnik vedno izklopite in izpraznite vodo iz zbiralnika. Če želite iz zbiralnika izprazniti vodo, se prepričajte, da voda skozi odprtino za zrak ne vstopa v dimnik.

Če je voda trda, to je če vsebuje prevelike količine kalcija in magnezija, se lahko v napravi začne nabirati »beli prah«, zato nastajajo debele usedline na površini podstavka, pretvorniku (beli keramični ploščici, ki ustvarja ultrazvočne valove) in notranjih stenah zbiralnika za vodo. Zaradi usedlin na pretvorniku naprava ne deluje pravilno.

Priporočamo

- 01 za vsako uporabo uporabite prekuha-
no in ohlajeno vodo ali destilirano vodo;

- 02 zbiralnik za vodo očistite vsake tri
dni, pretvornik pa vsak teden;
- 03 vodo v zbiralniku redno menjajte,
da ostane sveža, ne puščajte
je v njem več kot 2 dni;
- 04 očistite celotno napravo in se
prepričajte, da so vsi njeni deli
popolnoma suhi, ko je ne uporabljate.

Čiščenje pretvornika ☒ 4

- 01 Odstranite zbiralnik za vodo.
- 02 Na njegovo površino kanite
od 2 do 5 kapljic kisa in pustite
stati od 2 do 5 minut.
- 03 Odstranite madeže s površine s
priloženo krtačo. Za strganje površine
ne uporabljajte trdega orodja.
- 04 Pretvornik splaknite s čisto vodo.
- 05 Za čiščenje pretvornika ne uporabljajte
mila ali drugih osnovnih snovi.

Čiščenje zbiralnika za vodo

- 01 Odstranite pokrov zbiralnika. Nato od-
stranite parni dimnik in vstopno šobo
parnega dimnika iz zbiralnika tako, da ju
zavrtite v nasprotni smeri urnega kazalca.
- 02 Podstavek očistite z vodo in
mehko krpo oziroma s kisom,
če so v notranjosti podstavka
apnenčaste usedline ALI obloge.
- 03 Če umazanija prekrije varnostno
stikalo, nanjo kanite nekaj kapljic
kisa in očistite s ščetko.
- 04 Podstavek splaknite s čisto vodo.
- 05 Zamenjajte dovodno šobo za dimnik
in se prepričajte, da se trikotna oznaka
ujema z oznako zbiralnika, nato pa šobo
obrnite v smeri urnega kazalca. Nato
zamenjajte dimnik z zbiralnikom za vodo.

Shranjevanje

- 01 Ultrazvočni vlažilnik temelji-
to očistite in posušite ob upo-
števanju navodil za nego.

11

53 - SLOVENŠČINA

02 Pustite, da se popolnoma posuši, preden ga shranite. Ne shranjujte ga tako, da bi voda ostala v podstavku.

03 Napravo hranite na suhem in hladnem mestu, izven dosega otrok.

Odpravljanje težav

Težava	Možni vzroki	Rešitve
Ni pare, kontrolna lučka ne sveti	Če lučka ne sveti	Preverite, ali je naprava priključena oz ali je prišlo do okvare na električnem omrežju
	Zbiralnik ni pravilno nameščen	Preverite, ali je zbiralnik pravilno nameščen na podstavek
	Puščanje vode iz zbiralnika	Preverite, ali je zbiralnik pravilno nameščen
	Temperatura enote je prenizka	Enoto postavite v prostor s sobno temperaturo pol ure pred uporabo
Para ima nenavaden vonj	Voda že predolgo stoji v zbiralniku	Očistite zbiralnik in ga napolnite s čisto, svežo, destilirano ali demineralizirano vodo
Nizka intenzivnost	V zbiralniku je preveč (ali premalo) vode	Izpraznite (dodajte) vodo iz (v) zbiralnika
	Usedline na pretvorniku	Očistite pretvornik
	Voda je premrzla	Uporabite vodo sobne temperature
	Voda ni čista	Očistite zbiralnik in ga napolnite s čisto, svežo, destilirano ali demineralizirano vodo
Na gumbu za vklop sveti rdeča lučka	Nivo vode je prenizek	Odklopite enoto in napolnite zbiralnik
Nenormalno visoka raven zvoka	Vlažilnik zraka ni nameščen na trdi, ravni površini	Pazite, da vlažilnik postavite na trdo in ravno površino

SL

Tehnični podatki

- Referenčna oznaka proizvoda: LA120126
- Napajanje: 12 V enosm. 2,5 A
- Dimenzije: 17x17x25.4 cm
- Teža: pribl. 1.34 kg



Pripadajoči nasveti za odstranjevanje odpadkov

Embalaža je v celoti sestavljena iz materialov, ki niso nevarni okolju in ki jih lahko odlagate kot sekundarne materiale v vašem komunalnem centru za sortiranje. Karton lahko odložite v zbiralni zabojnik za papir. Ovojne folije je treba odlagati v vašem komunalnem centru za sortiranje in recikliranje.

Ko ne boste več uporabljali aparata, ga odstranite na okolju ustrezen način in v skladu z zakonskimi predpisi.

Omejena garancija

Lanaform jamči, da ta izdelek nima nobene napake v materialu in izdelavi, in sicer od datuma nakupa dalje za obdobje dveh let, z izjemo spodaj navedenih primerov.

Garancija Lanaform ne krije škode, ki bi nastala zaradi normalne obrabe tega izdelka. Poleg tega garancija za ta Lanaform-ov izdelek ne krije škode, ki je posledica kakršnekoli zlonamerne ali nepravilne uporabe, nezgode, namestitve neodobrene dodatne opreme, modifikacije izdelka ali kakršnekoli druge situacije, na katero Lanaform ne more vplivati.

Lanaform ne bo odgovarjal za kakršnokoli vrsto naključne, posledične ali posebne škode.

Vse implicitne garancije za ustreznost izdelka so omejene na obdobje dveh let od datuma prvega nakupa, v kolikor je mogoče predložiti kopijo dokazila o nakupu.

Po sprejemu bo Lanaform popravil ali zamenjal vaš aparat, odvisno od primera, in vam ga poslal nazaj. Garancija se izpolni samo preko servisnega centra Lanaform. V primeru, da je kakršnokoli vzdrževanje tega izdelka izvajala katerakoli druga oseba, ne pa servisni center Lanaform, se ta garancija izniči.

51

Съдържание на опаковката

- 1 овлажнител Н-200с
- 1 антибактериален филтър
- 1 брой инструкции за употреба

Предупреждения

⚠ **Преди да използвате продукта, прочетете всички инструкции, особено тези няколко основни препоръки за безопасност.**

☒ **Фотографиите и другите изображения на продукта в това ръководство и върху опаковката показват продукта възможно най-точно, но не може да се гарантира перфектна еднаквост с реалния продукт.**

⚠ Внимание

Използвайте това устройство само както е описано в това ръководство. Овлажнителят е проектиран само за вътрешна и домашна употреба. Този уред може да се използва от деца на възраст 8 и повече години, както и от лица с намалени физически, сетивни или умствени способности или с липса на опит и познания, ако те се

наблюдават или са инструктирани за безопасното използване на уреда и разбират свързаните с него рискове. **Децата не трябва да си играят с уреда. Почистването и поддръжката от страна на потребителя не трябва да се извършват от деца без надзор. Децата не трябва да си играят с уреда. Уверете се, че напрежението на електрическата мрежа съответства на необходимото за уреда напрежение. Не използвайте аксесоари, които не са препоръчани от Lanaform или не са доставени с този уред. Не разглобявайте нито уреда изцяло, нито дори базовата му част. Никога не изпускайте нищо в отворите и не вкарвайте предмети в тях. Не използвайте този уред, ако щепселът е повреден, ако не работи правилно, ако е паднал на пода или ако е повреден, или ако е паднал във вода. В такъв случай дайте уреда за проверка при продавача или в неговия сервиз за следпродажбено обслужване. Ако хранващият кабел е повреден, той**

трябва да бъде заменен с подобен кабел от продавача или от неговия сервиз за следпродажбена поддръжка. **Не** използвайте този уред в стая, където се използват аерозолни продукти (спрейове) или където се подава допълнителен кислород. **Незабавно** изключете уреда, който е паднал във вода, преди да го извадите. **Дръжте** електрическия кабел далеч от горещи повърхности. **Не** включвайте уреда, когато няма вода в резервоара. **Не** използвайте овлажнителя, ако резервоарът е повреден или напукан. **Изключвайте** захранващия кабел, когато продуктът няма е се използва за дълъг период от време или когато няма никой къщи. **Един** електрически уред никога не трябва да бъде оставян без надзор, когато е включен. **Изключвайте** го от контакта, когато не го използвате. **Не** включвайте и не изключвайте щепсела на уреда с мокри ръце. **Не** поставяйте дрехи или кърпи върху горната част на уреда. **Ако** дюзата е запушена, това може да предизвика неизправност на

уреда. **Избягвайте** да поставяте овлажнителя на място, където дюзата за изпускане на парата на дифузера я насочва директно към човек или предмет. **Не** използвайте овлажнителя, ако въздухът в помещението вече е достатъчно влажен (поне 50% относителна влажност). **Всъщност**, идеалната относителна влажност за комфортно усещане при хората е между 45% и 55%. **Прекормерната** влажност се проявява чрез появата на конденз върху студените повърхности или студените стени на помещението. **За** да определите правилно нивото на влажност в помещението, използвайте хигрометър, който се предлага в повечето специализирани магазини и супермаркети. **Обърнете** внимание на факта, че високите нива на влажност могат да ускорят растежа на биологични организми в природата. **Не** носете уреда, като го хващате за електрическия му кабел и не използвайте кабела като дръжка. **Когато** премествате уреда, хващайте го и го повдигайте за основата, а не

за резервоара за вода. **Винаги** поставяйте овлажнителя върху твърда, равна и хоризонтална повърхност. **Отдалечете** го леко от стени и източници на топлина, като например печки, радиатори и др. **Внимание:** Ако не се постави върху хоризонтална повърхност, възможно е уредът да не може да работи правилно. **Не** оставяйте уреда изложен на пряка слънчева светлина. **Пълнете** резервоара с чиста прясна, дестилирана или деминерализирана вода. **Не** клатете уреда. **Това** може да доведе до преливане на вода от базовия модул и да повлияе негативно на работата му. **Никога** не докосвайте водата и компонентите, когато уредът работи. **Не** изваждайте резервоара, когато овлажнителят работи. **Не** пийте водата директно от резервоара и не вдишвайте парата, изпускана от овлажнителя. **Ако** се появи необичайна миризма по време на употребата, описана в това ръководство, изключете уреда, извадете хранващия кабел и занесете уреда за проверка при продавача или

в неговия сервиз за следпродажбена поддръжка. **Не** позволявайте зоната около овлажнителя да стане влажна или мокра. **В** случай на прекомерна влажност намалете интензивността на парата. **Ако** тя не може да се намали, използвайте овлажнителя периодично. **Не** позволявайте абсорбиращите материали, като например мокети, пердета, завеси или покривки, да се овлажнят. **Не** наливайте топла вода в резервоара, т.е. вода с температура над 40°C. **Изключете** уреда от контакта след употреба, преди да го почистите или преди да извадите резервоара. **Не** мийте целия уред с вода и не го потапяйте, вижте инструкциите за почистване в това ръководство. **Никога** не стържете преобразувателя с твърд инструмент. **Овлажнителят** трябва да се почиства редовно. **За** да направите това, вижте инструкциите за почистване в това ръководство и ги следвайте. **Не** използвайте етерични масла, чиято употреба не е препоръчителна за използване с дифузори. **За** да

направите това, вижте съветите за използване на етерични масла в това ръководство. **Не** използвайте синтетични парфюми или есенции, това може да повреди уреда.

Презентация

Благодарим ви, че избрахте да купите мрежовия овлажнителя H-200C на Lanaform. Овлажнителят ви помага да възстановите нормалното ниво на влажност и да премахнете дискомфорта, дължащ се на сухия въздух. Вентилационната система разпръсква вода под формата на студена пара и по този начин осигурява желаното ниво на влажност. Тази пара се вижда като мъгла, излизаща от дюзата за разпръскване.

Приложение Lanaform Connect

Можете да свържете овлажнителя за въздух към вашия смартфон чрез Wi-Fi. За да направите това, трябва само да изтеглите безплатното приложение **Lanaform Connect**. Приложението **Lanaform Connect** се предлага в App Store (iOS) и в Google Play (Android™).

Приложението **Lanaform Connect** предлага следните функции:

- Контрол и показване на процента на относителната влажност на въздуха.
- Контрол на интензитета на изпусканата пара
- Контрол на времето за използване
- Контрол на интериорната светлина
- Контрол на нощния режим
- Дисплей за нивото на водата

Необходима конфигурация: iOS ≥ 11.0, Android™ ≥ 5.0, Bluetooth® ≥ 4.0, Wi-Fi 2.4Ghz.

ⓘ Забележка

Можете също така да използвате същите основни функции на овлажнителя без приложението **Lanaform Connect**.

Свържете овлажнителя за въздух към приложението Lanaform Connect.

- 01 Следвайте инструкциите в главата „Подготовка преди употреба“.
- 02 Включете щепсела в електрически контакт. Поставете кабела така, че да не спънете никого.
- 03 За да включите уреда, натиснете бутона за включване/изключване.

ⓘ Забележка

Символът WI-FI мига бързо (📶). Ако това не е така, „рестартирайте“ уреда, като натиснете бутона „интериорна светлина“ за няколко секунди.

- Уверете се, че вашият смартфон е свързан към Wi-Fi мрежа.
- Изтеглете безплатното приложение Lanaform Connect от App Store (iOS) или Google Play (Android™).
- Стартирайте приложението Lanaform Connect. и следвайте инструкциите.
- Щракнете върху „Connect a New Device“ (Свързване на ново устройство) или докоснете бутона + в горната част на екрана. Следвайте инструкциите на екрана, за да свържете овлажнителя към вашата мрежа.

ⓘ Забележка

В зависимост от настройките на смартфона, интернет връзката или предаването на данни може да се начислят допълнителни разходи.

Тази инструкция е валидна само когато овлажнителят е конфигуриран за първи път.

Описание


Уред 1

- 01 Изпускателна дюза
- 02 Капак на резервоара за вода
- 03 Дръжка за носене
- 04 Интериорна светлина
- 05 Тръбичка за парата
- 06 Резервоар за вода
- 07 Антибактериален филтър
- 08 Капачка на резервоара за вода
- 09 Панел за управление и дисплей
- 10 Базова част на уреда
- 11 Четка за почистване
- 12 Ултразвуков диск
- 13 Дюза на тръбичката за пара

Панел на дисплея 2

- 01 Бутон On/Off (Вкл./Изкл.)
- 02 Бутон за интериорната светлина
- 03 Дисплей за нивото на влажността/таймера
- 04 Бутон за таймер
- 05 Бутон за нощен режим
- 06 Бутон за нивото на влажност
- 07 Бутон за интензитета на изпусканата пара

Подготовка преди употреба

- 01 Поставете овлажнителя в стаята половин час преди да го включите, за да се адаптира към стайната температура.
- 02 Уверете се, че винаги е поставен върху твърда, равна и хоризонтална повърхност. Дръжте го леко отдалечен от стени и източници на топлина, като например печки, радиатори...
- 03 Уверете се, че уредът е чист, преди да започнете да го използвате.
- 04 Поставяне на филтъра  3
Овлажнителят е снабден с антибактериален филтър. За да го поставите, първо свалете капачката на резервоара и

тръбичката за изпускане на пара, като я завъртите обратно на часовниковата стрелка. След това поставете здраво филтърната касета в нейното гнездо. След това сменете тръбичката за изпускане на пара на резервоара, като завъртите тръбичката по посока на часовниковата стрелка.

- 05 За да напълните резервоара за вода:
 - Уверете се, че овлажните-лят е изключен от контакта.
 - Свалете капачката на резервоара за вода и напълнете резервоара с чиста и прясна вода, дестилирана или деминерализирана, или
 - Свалете резервоара за вода и неговия капак от основата и го напълнете с вода, преди да го поставите обратно върху основата, като внимавате маркировките на основата и резервоара да съвпадат.

Забележка: Уверете се, че при пълнене водата не навлиза в тръбичката за пара, за да сте сигурни, че водата се впръсква директно от резервоара в основата на уреда.

Инструкции

Пускане на уреда

Поставете щепсела на уреда в контакта. Натиснете веднъж бутона „On/Off“ (Вкл./Изкл.), за да включите уреда. Овлажнителят показва относителната влажност и работи на второ ниво на интензивността. Интериорното осветление е изключено. Натиснете бутона „On/Off“ (Вкл./Изкл.) за втори път, за да изключите уреда.

Интериорно осветление

Натиснете веднъж бутона „Интериорно осветление“ и то автоматично ще премине през 7-те налични цвята. Натискайте последователно същия бутон, за да изберете определен цвят и накрая да го изключите.

Настройка на таймера

Натиснете бутона „Timer“ (Таймер), за да настроите времето за работа на овлажнителя. Можете да изберете от 1 до 12 часа работа или непрекъснат режим (Co). След като продължителността бъде избрана, тя ще се покаже за 3 секунди на дисплея.

Нощен режим

Натиснете веднъж бутона „Нощен режим“. На екрана се извежда индикация 5P и след 5 секунди нощният режим се активира. Интензитетът на парата е на най-ниското ниво, интериорната светлина е изключена и светлинните индикатори на контролния екран са изключени. Натиснете за втори път, за да излезете от нощния режим.

Настройка на нивото на влажността

Можете да зададете желаното ниво на влажност между 40% и 75%. За да направите това, натиснете бутона "Ниво на влажност". Стойността се показва, докато избирате нивото. След няколко секунди дисплеят отново показва текущото ниво на влажността. Ако действителното ниво на влажността е по-високо от избраното, овлажнителят спира да изпуска пара, а вентилаторът продължава да работи. Когато нивото на влажността стане с 5% по-ниско от избраното ниво, овлажнителят ще започне да работи отново.

Интензитет на парата

Възможно е да изберете три интензитета на парата (нисък-среден-висок). За да направите това, натиснете последователно бутона „интензитет на изпускане“.

Смяна на филтъра

Филтърът има експлоатационен живот от една година. За да го смените, следвайте инструкциите, описани в точка 4 за подготовка на овлажнителя за употреба.

Забележка: Когато филтърът е монтиран в резервоара за вода и машината е включена за първи път, интензитетът на парата ще бъде много нисък през първия половин час, след което ще се върне към нормалното. Наистина, по време на първата употреба водата генерира много въздушни мехурчета, когато преминава през зеолита, разположен вътре във филтъра. След половин час въздушните мехурчета са много по-малко и интензитетът на парата се връща към нормалното.

Ако не използвате овлажнителя дълго време, също ще бъдат необходими 30 минути, докато интензитетът на парата се върне към нормалния.

Забележка: Когато в резервоара няма повече вода, червеният светодиод на бутона „On/Off“ (Вкл./Изкл.) започва да мига и на дисплея се показва код E1. Напълнете отново резервоара.

Ако резервоарът не е поставен върху основата, овлажнителят издава 3 пъти кратък звуков сигнал, червеният светодиод на бутона „On/Off“ (Вкл./Изкл.) светва и на дисплея се показва код E2.

Използване на етерични масла

За разпръскването на органични етерични масла в стаята, сипете няколко капки органични етерични масла (максимум 3-4) директно във водата и след това поставете обратно капака на резервоара.

⚠ Внимание

Допълнителна информация за употребата на етерични масла

- Преди да използвате етерични масла, информирайте се за отрицателните ефекти върху здравето, които употребата на такива продукти може да причини.

- Винаги избирайте качествени етерични масла: чисти и 100% натурални, и предназначени за дифузори. Използвайте ги пестеливо и внимателно. Спазвайте указанията и предупрежденията, посочени върху опаковката на етеричните масла, като обърнете по-специално внимание на това, че:
 - Употребата на етерични масла е забранена за бременни жени и хора с епилепсия или страдащи от астма или алергии, хора със сърдечни проблеми или сериозни патологии.
 - В стаята на бебе (под 3 години) е разрешено използването на етерични масла за не повече от 10 минути и само когато бебето не присъства в стаята.
- Следете малките деца и непълнолетните да не си играят с уреда и да не го използват.
- Само няколко капки (максимум 3-4) етерично масло са достатъчни, за да се гарантира правилното функциониране на уреда и разпръскването на аромата. Прекомерната употреба на етерични масла може да повреди уреда.
- Компанията Lanaform не може да бъде държана отговорна за повреди, произтичащи от каквато и да е употреба, която не отговаря на описаната в това ръководство.

Почистване

Поддръжка

Винаги изключвайте овлажнителя и изпразвайте водата от резервоара, преди да го почистите или подгответе за съхранение. За да изпразните водата от резервоара, уверете се, че водата не навлиза в тръбичката през изхода за въздух.



Ако водата е твърда, т.е. ако съдържа твърде много калций и магнезий, в уреда може да се образува "бял налеп" и да се появи пяна по повърхността в резервоара, върху ултразвуковия преобразувател (керамична подложка, произвеждаща ултразвук) и върху вътрешните стени на резервоара за вода. Наличието на пяна по повърхността на ултразвуковия преобразувател не позволява на уреда да функционира правилно.

Препоръчваме

- 01 Да използвате преварена и охладена вода, или дестилирана вода при всяка употреба,
- 02 Почиствайте резервоара на всеки 3 дни, а преобразувателя всяка седмица.
- 03 Сменяйте редовно водата в резервоара, за да остане прясна - не я оставяйте там за повече от 2 дни,
- 04 Почистете целия уред и се уверете, че всички негови части са напълно сухи, когато не го използвате.

За да почистите преобразувателя ☒ 4

- 01 Извадете резервоара за вода.
- 02 Поставете от 2 до 5 капки оцет върху повърхността му и го оставете да престои от 2 до 5 минути.
- 03 Изчеткайте пяната от повърхността с помощта на предоставената четка. Не използвайте твърд инструмент, за да изстъргате повърхността.
- 04 Изплакнете преобразувателя с чиста вода.
- 05 Не използвайте сапун или други вещества на базата на основа, за да почистите преобразувателя.

За почистване на резервоара

- 01** Свалете капака на резервоара. След това отстранете тръбичката за пара и входната дюза на тръбичката за пара от резервоара, като ги завъртите обратно на часовниковата стрелка.
- 02** Почистете водния резервоар с помощта на мека кърпа и оцет, ако има пяна ИЛИ варовикови отлагания отвътре.
- 03** Ако пяната покрие предпазния превключвател, капнете няколко капки оцет върху него и го почистете с четка.
- 04** Изплакнете водния резервоар с чиста вода.
- 05** Сменете входната дюза на тръбичката за пара, като се уверите, че триъгълната маркировка съвпада с тази на резервоара и след това завъртете дюзата по посока на часовниковата стрелка. След това сменете тръбичката за пара на резервоара за вода.

Съхранение

- 01** Почистете и подсушете внимателно ултразвуковия овлажнител, като следвате инструкциите за поддръжка.
- 02** Оставете го да изсъхне напълно, преди да го приберете за съхранение. Не го прибирайте за съхранение, ако има останала вода в основната част.
- 03** Съхранявайте уреда на сухо и прохладно място, недостъпно за деца.

Ремонт

Проблеми	Възможни причини	Решения
Няма пара и светодиода не свети	Ако светлините не светят	Проверете дали уредът е включен и дали в контакта има ток
	Резервоарът не е монтиран правилно	Проверете дали резервоарът е монтиран правилно върху основата
	Теч на вода от резервоара	Проверете дали резервоарът е поставен правилно
	Температурата на уреда е твърде ниска	Поставете уреда в стая със стайна температура за половин час преди употреба
Парата е с необичаен мирис	Водата в резервоара е застояла	Почистете резервоара и го напълнете с чиста, прясна, дестилирана или деминерализирана вода
Нисък интензитет	Твърде много (или твърде малко) вода в резервоара	Изпразнете вода от резервоара или добавете вода в него
	Отлагания върху преобразувателя	Почистете преобразувателя
	Водата е твърде студена	Използвайте вода със стайна температура
	Водата не е чиста	Почистете резервоара и го напълнете с чиста, прясна, дестилирана или деминерализирана вода
Свети червеният светодиод върху бутона за включване/изключване	Нивото на водата е твърде ниско	Извадете щепсела на уреда от контакта и напълнете резервоара
Ненормално високо ниво на звука	Овлажнителят не е поставен върху твърда и равна повърхност	Не забравяйте да поставите овлажнителя на твърда и равна повърхност

BG

64 · БЪЛГАРСКИ

Технически данни

- Референтен номер на продукта: LA120126
- Захранване: 12V DC, 2.5A
- Размери: 17x17x25.4 cm
- Тегло: 1.34 kg



Съвети относно изхвърлянето на отпадъците

Опаковката е направена изцяло от материали, които не представляват опасност за околната среда и които могат да бъдат предадени в центъра за преработване на отпадъци във вашата община, за да бъдат използвани като вторични суровини. Можете да оставите кашона в контейнер за събиране на хартия.

Опаковъчното фолио трябва да предадете в центъра за преработване и рециклиране на отпадъци във вашата община.

Ограничена гаранция

Lanaform гарантира, че този продукт не притежава материални и фабрични дефекти, считано от датата на закупуването му за период от две години, с изключение на уточненията по-долу.

Гаранцията Lanaform не покрива щетите, които са причинени от нормалното износване на продукта. Гаранцията на продукта Lanaform не покрива също и щетите, които са причинени от неправилното или неподходящото му използване, както и от всяка друга неправилна употреба, злоупотреба, закрепване на неразрешени аксесоари, изменение, извършено върху продукта, или при всяко друго условие, независимо от неговото естество, което не може да се контролира от Lanaform.

Lanaform не носи отговорност за никаква допълнителна, последваща или специална щета.

Всяка друга имплицитна гаранция за годност на продукта се ограничава за период от две години, считано от датата на първоначалното му закупуване, с изискване за представяне на копие от документа, удостоверяващ продажбата.

След като получи Вашия уред, Lanaform ще го поправи или подмени, в зависимост от обстоятелствата, и ще Ви го върне. Гаранцията се прилага единствено посредством Сервизния център на Lanaform. Всяка дейност по поддръжката на този продукт, която е възложена на друго, различно от Сервизния център на Lanaform, лице, анулира настоящата гаранция.

Förpackningens innehåll

- 1 luftfuktare H-200c
- 1 antibakteriellt filter
- 1 bruksanvisning

Varningar

⚠ **Läs alla instruktioner innan du använder produkten, särskilt dessa grundläggande säkerhetsanvisningar.**

☒ **Bilder och andra återgivning- ar av produkten i denna bruks- anvisning och på förpackningen är så naturtrogna som möjligt men det finns inga garantier att de liknar produkten perfekt.**

⚠ Ansvarsfriskrivning

Använd endast denna apparat enligt bruksanvisningen som be- skrivs i denna manual. Luftfukta- ren är endast avsedd för inom- hus- och hemmabruk. Denna apparat kan användas av barn från 8 års ålder och personer med nedsatt fysisk, sensorisk eller mental förmåga eller brist på erfarenhet och kunskap om de har fått handledning eller in- struktioner om säker användning av apparaten och om de förstår riskerna. **Barn får inte leka med**

apparaten. **Rengöring och un- derhåll ska inte utföras av barn utan uppsikt. Barn ska inte leka med apparaten. Kontrollera att spänningen i ditt elnät motsvarar produktens. Använd inte till- behör som inte rekommenderas av Lanaform eller som inte har levererats med denna produkt. Demontera inte hela apparaten och inte ens dess basenhet. Tap- pa aldrig något och för inte in något i någon av öppningarna. Använd inte denna apparat om eluttaget är skadat, om det inte fungerar som det ska, om det har fallit på marken eller om det är skadat eller om det har fallit i vat- ten. Se till att apparaten under- söks och repareras av leverantö- ren eller dennes serviceombud. Om elsladden är skadad, ska den bytas ut till en specialsladd el- ler en liknande sladd som finns hos leverantören eller dennes garantiserviceombud. Använd aldrig denna apparat i ett rum där aerosolprodukter (sprayer) används eller i ett rum där syre ges. Dra omedelbart ur elslad- den till en apparat som har fallit**

ned i vatten innan den återställs. **Håll** nätsladden borta från heta ytor. **Starta** inte apparaten när det inte finns vatten i behållaren. **Använd** inte luftfuktaren om behållaren är skadad eller sprucken. **Koppla** bort nätsladden när produkten inte används under en längre tid eller när ingen är hemma. **En** elektrisk apparat får aldrig förbli ansluten utan uppsikt. **Dra** stickkontakten ur vägguttaget när den inte används. **Varken** anslut eller dra ur stickkontakten ur vägguttaget med våta händer. **Lägg** aldrig kläder eller handdukar på apparatens ovandel. **Om** munstycket är igenstätt kan det orsaka funktionsstörningar i apparaten. **Undvik** att placera luftfuktaren där diffusorns pip leder ångan direkt på en person eller ett föremål. **Använd** inte luftfuktaren om rumsluften redan är tillräckligt fuktig (minst 50% relativ luftfuktighet). **Den** relativa luftfuktigheten som är idealisk för människors trivsel ligger på mellan 45 procent och 55 procent. **Överdriven** luftfuktighet framgår genom att det finns kondens på kalla ytor eller kalla väggar i rummet. **För**

att korrekt bestämma rummets luftfuktighetsnivå, använd en hygrometer som finns i de flesta specialbutiker och på stormarknader. **Var** uppmärksam på att hög luftfuktighet kan uppmuntra tillväxt av biologiska organismer i naturen. **Transportera** inte denna produkt genom att bära den i elsladden. **Använd** inte elsladden som ett handtag. **När** apparaten flyttas, lyfter du den i basenheten och inte i vattenbehållaren. **Placera** alltid luftfuktaren på en hård, plan, horisontell yta. **Håll** den något borta från väggar och värmekällor såsom spisar, värmeelement etc. **Obs!** **Om** den inte ställs på en horisontell yta, kan den inte fungera korrekt. **Lämna** inte apparaten i direkt solljus. **Fyll** behållaren med rent och friskt vatten som är destillerat eller demineraliserat. **Skaka** inte apparaten. **Detta** kan leda till att vattnet rinner över i basenheten och påverkar dess funktion. **Rör** aldrig vattnet och komponenterna medan apparaten är igång. **Ta** inte bort vattenbehållaren när luftfuktaren är igång. **Varken** drick vatten direkt från behållaren eller

andas in ånga från luftfuktaren. Om en onormal lukt uppstår under användning som beskrivs i denna bruksanvisning, stäng av apparaten, dra stickkontakten ur vägguttaget och låt den undersökas av leverantören eller dennes serviceombud. Låt inte området runt luftfuktaren bli fuktigt eller blött. Vid överdriven luftfuktighet, minska ångintensiteten. Om detta inte kan minskas, använd luftfuktaren intermittent. Låt inte absorberande material såsom mattor, gardiner, draperier eller bordsdukar bli blöta. Håll inte i varmt vatten i behållaren, dvs. med en temperatur som överstiger 40°C. Koppla alltid bort produkten från elnätet efter användning eller före rengöring. Varken tvätta hela apparaten under vatten eller sänk ned den i vatten. Se rengöringsanvisningarna i denna bruksanvisning. Skrapa aldrig på omvandlaren med ett hårt verktyg. Luftfuktaren ska rengöras regelbundet. För att göra detta, se och följ rengöringsinstruktionerna i denna bruksanvisning. Använd inte eteriska oljor som inte rekommenderas för

användning vid diffusion. För att göra detta, se bruksanvisningen för eteriska oljor i denna handbok. Använd inte syntetiska dofter eller essenser, eftersom detta kan skada apparaten.

Presentation

Vi tackar dig för att du köpt den uppkopplade luftfuktaren H-200C från Lanaform. Luftfuktaren hjälper dig att skapa tillräcklig luftfuktighet och eliminera obehag i samband med torr luft. Fläktsystemet sprider vattnet i form av kall ånga och ger därmed önskad luftfuktighet. Ångan utgörs av en dimma som sprids från spridningsmunstycket.

Applikationen Lanaform Connect

Du kan ansluta luftfuktaren till din smartphone via Wi-Fi. För att göra detta behöver du bara ladda ner den kostnadsfria appen **Lanaform Connect**. Appen **Lanaform Connect** finns tillgänglig i App Store (IOS) och Google Play (Android™).

Applikationen **Lanaform Connect** har följande funktioner:

- Styrning och visning av relativ luftfuktighet.
- Reglering av ångutsläppets intensitet
- Kontroll av tidslängd
- Styrning av stämningsljus
- Nattlägeskontroll
- Givare för vattennivå

Systemkrav: iOS ≥ 11.0, Android™ ≥ 5.0, Bluetooth® ≥ 4.0, Wi-Fi 2,4 Ghz.

📍 Lägga märke till följande

Du kan också använda samma grundläggande funktioner som luftfuktaren utan **Lanaform Connect**-applikationen.

Anslut luftfuktaren till Lanaform Connect-applikationen

- 01 Följ instruktionerna i kapitlet. "Förberedelse före användning".
- 02 Anslut uttaget till elnätet. Placera ledningen så att ingen snubblar på den.
- 03 För att slå på luftfuktaren, tryck på På/Av-knappen.

📍 Lägga märke till följande

Wi-Fi-symbolen blinkar snabbt (📶). Om så inte är fallet, "återställ" apparaten genom att trycka på knappen "stämningssljus" i flera sekunder.

- Se till att din smartphone är ansluten till Wi-Fi-nätverket.
- Ladda ner den kostnadsfria appen Lanaform Connect från App Store (iOS) eller Google Play (Android™).
- Starta appen Lanaform Connect och följ instruktionerna.
- Klicka på Anslut en ny enhet eller tryck på knappen + högst upp på skärmen. Följ anvisningarna på skärmen för att ansluta luftfuktaren till nätverket.

📍 Lägga märke till följande

Beroende på smartphone-inställningarna kan internetanslutning eller dataöverföring medföra extra kostnader.

Denna instruktion gäller endast när luftfuktaren konfigureras för första gången.

Beskrivning

Enhet 📍 1

- 01 Spridarmunstycke
- 02 Vattenbehållarlock

- 03 Bärhandtag
- 04 Stämningssljus
- 05 Ångkanal
- 06 Vattenbehållare
- 07 Antibakteriellt filter
- 08 Knapp för vattenbehållaren
- 09 Manöverpanel och visningsskärm
- 10 Apparats botten del
- 11 Rengöringsborste
- 12 Ultraljudsskiva
- 13 Utgående ångkanal

Displaypanel 📍 2

- 01 På/Av-knapp
- 02 Knapp för stämningssljus
- 03 Visning av fuktnivå/timer
- 04 Timerknapp
- 05 Knapp för nattläge
- 06 Fuktnivåknapp
- 07 Knapp för utsläppsintensitet

Förberedelse före användning

- 01 Placera luftfuktaren i rummet en halvtimme innan du slår på den så att den anpassar sig till den omgivande temperaturen.
- 02 Se till att den alltid placeras på en hård, plan och horisontell yta. Håll den något borta från väggar och värmekällor som spisar, värmeelement.
- 03 Se till att apparaten är ren innan du börjar använda den.
- 04 Placering av filter 📍 3
Luftfuktaren är utrustad med ett antibakteriellt filter. För att placera den, ta först bort locket till vattenbehållaren och ångkanalen genom att vrida den moturs. Sätt sedan in filterpatronen ordentligt i dess urtag. Sätt sedan dit ångkanalen på vattenbehållaren genom att vrida kanalen medurs.
- 05 För att fylla vattenbehållaren:
 - Se till att luftfuktaren är frånkopplad.

- Ta bort vattenbehållarens lock och fyll behållaren med rent, färskt, destillerat eller demineraliserat vatten eller
- Ta bort vattenbehållaren och dess lock från basen och fyll den med vatten innan du sätter den tillbaka på basen och se till att markeringarna på basen och behållaren matchar.

Lägg märke till följande: Se till att vattnet inte rinner in i ångkanalen när du fyller på för att säkerställa att vattnet går direkt från behållaren in i apparatens bas.

Instruktioner

Start av apparaten

Anslut apparaten. Tryck på "På/Av"-knappen för första gången för att slå på apparaten. Luftfuktaren indikerar den relativa luftfuktigheten och arbetar på den andra intensitetsnivån. Stämningssluset är avstängt. Tryck på På/Av-knappen en andra gång för att stänga av apparaten.

Stämningsslus

Tryck en första gång på knappen "Stämningsslus" så cirkulerar den automatiskt genom de sju färgerna. Tryck på samma knapp successivt för att välja en fast färg och slutligen stänga av den.

Timerinställning

Tryck på knappen "Timer" för att justera drifttiden för luftfuktaren. Det är möjligt att välja mellan 1 och 12 timmars drift eller kontinuerligt läge (Co). När tidslängden är vald visas den i 3 sekunder på displayen.

Nattläge

Tryck en gång på "Night Mode"-knappen. Indikeringen 5P visas och efter 5 sekunder aktiveras nattläget. Ångintensiteten är på den lägsta nivån, stämningssluset släckt och indikatorlamporna på displayen och kontrollskärmen

är släckta. Tryck en andra gång för att avsluta nattläget.

Justering av luftfuktighetsnivån

Du har möjlighet att ställa in önskad luftfuktighet mellan 40% och 75%. För att göra detta, tryck på knappen "luftfuktighet". Värdet visas när du väljer nivå. Efter några sekunder visar displayen den aktuella luftfuktigheten igen. Om den faktiska luftfuktigheten är högre än den valda slutar luftfuktaren att avge ånga och fläkten fortsätter att arbeta. När luftfuktigheten är mindre än 5% av den valda nivån kommer luftfuktaren att fungera igen.

Ångintensitet

Det är möjligt att välja tre ångintensiteter (låg-medium-hög). För att göra detta trycker du successivt på knappen "Utsläppsintensitet".

Byte av filter

Filtret har en livslängd på ett år. Följ instruktionerna i avsnitt 4 i luftfuktarens bruksanvisning före användning för att byta ut det.

Lägg märke till följande: När filtret installeras i vattenbehållaren och apparaten slås på för första gången kommer ångintensiteten att vara mycket låg under den första halvtimmen, varefter den återgår till det normala. Faktum är att under den första användningen genererar vattnet en hel del luftbubblor när det passerar genom zeoliten som finns inuti filtret. Efter en halvtimme är luftbubblorna mycket mindre och ångintensiteten återgår till det normala.

Om du inte använder luftfuktaren under en längre tid, kommer det också att ta 30 minuter för ångutsläppet att återgå till det normala.

Lägg märke till följande: När det inte finns mer vatten i behållaren blinkar den röda lampan på På/Av-knappen och displayen visar kod E1. Fyll på behållaren.

Om behållaren inte är placerad på basen avger luftfuktaren ett ljud 3 gånger, den röda lampan på På/Av-knappen visas och displayen visar koden E2.

Användning av eteriska oljor

För att sprida organiska eteriska oljor i rummet, håll några droppar organiska eteriska oljor (högst 3-4) direkt i vattnet och sätt sedan tillbaka behållarens lock.

⚠ Varning

Ytterligare information om användningen av eteriska oljor

- Innan du använder eteriska oljor, ta reda på de negativa hälsoeffekter som kan bli följden av användningen av sådana produkter.
- Välj alltid eteriska oljor av hög kvalitet: rena och 100% naturliga och avsedda för spridning i luften. Använd dem med måttlighet och försiktighet. Observera de indikationer och varningar som anges på förpackningen för eteriska oljor, och var särskilt noga med att:
 - Användningen av eteriska oljor är förbjuden för gravida kvinnor och personer med epilepsi eller astma eller allergi, personer med hjärtproblem eller allvarliga sjukdomar.
 - I ett barnrum (för yngre än 3 år) är endast användning av eteriska oljor i högst 10 minuter tillåten och endast när barnet inte är närvarande i rummet.
- Se till att barn och minderåriga inte leker med apparaten och att de inte använder den.
- Endast några droppar (högst 3 till 4 droppar) eteriska oljor räcker för att säkerställa att apparaten fungerar korrekt och att doften sprids. Överdriven användning av eteriska oljor kan skada apparaten.

- Lanaform kan inte hållas ansvarigt vid olycka som beror på användning som strider mot kraven i denna bruksanvisning.

Rengöring

Underhåll



Stäng alltid av luftfuktaren och töm ut vattnet i behållaren före rengöring eller förvaring. För att tömma vatten från behållaren, se till att vatten inte kommer in i kanalen via luftutloppet.

Om vattnet är hårt, dvs. om det innehåller för mycket kalk och magnesium, kan det avge ett "vitt puder" i apparaten och leda till ett mycket kalkrester på botten, på omvandlaren (den keramiska tabletten som producerar ultraljudet) och på vattenbehållarens innerväggar. Beläggningen på omvandlaren gör att apparaten inte kan fungera korrekt.

Vi rekommenderar

- 01 Använd kokt och avkyllt vatten eller destillerat vatten vid varje användning,
- 02 Rengör behållaren varannan dag och rengör omvandlaren varje vecka,
- 03 Byt vattnet i behållaren regelbundet så att det förblir färskt och lämna det inte där i mer än 2 dagar,
- 04 Rengör hela apparaten och se till att alla dess delar är helt torra när de inte används.

Rengöra omvandlaren ☒ 4

- 01 Ta bort vattenbehållaren.
- 02 Placera 2-5 droppar ättika på ytan och låt stå i 2-5 minuter.
- 03 Borsta bort orenheterna från ytan med den medföljande borsten. Använd inte ett hårt verktyg för att inte repa ytan.
- 04 Skölj omvandlaren med rent vatten.
- 05 Använd inte tvål eller andra basiska medel för att rengöra omvandlaren.

Rengöring av behållaren

- 01 Ta bort behållarens lock. Ta sedan bort ångkanalen och inloppsmunstycket för ångstacken från vattenbehållaren genom att vrida dessa två delar moturs.
- 02 Rengör behållaren med vatten med en mjuk trasa och med ättika om det finns orenheter ELLER kalkrester inuti.
- 03 Om orenheterna täcker säkerhetsbrytaren, placera några droppar ättika på den och borsta bort.
- 04 Skölj behållaren med rent vatten.

- 05 Byt ut inloppsmunstycket på kanalen och se till att triangelmarkeringen matchar behållarens och vrid sedan munstycket medurs. Sätt sedan dit kanalen på vattenbehållaren.

Förvaring

- 01 Rengör och torka ultraljudsfuktaren noggrant, följ skötselinstruktionerna.
- 02 Låt den torka helt före förvaring. Förvara den inte med vatten kvar i basen.
- 03 Förvara apparaten på en sval, torr plats, utom räckhåll för barn.

Felsökning

Fel	Möjliga orsaker	Lösningar
Ingen ånga, inga kontrollampor	Inget ljussken	Kontrollera att apparaten är ansluten till vägguttaget eller om det föreligger ett fel på elnätet
	Behållaren är inte korrekt installerad	Kontrollera att behållaren är korrekt ditsatt på basen
	Vattenläckage vid behållaren	Kontrollera att behållaren är korrekt placerad
	Apparatens temperatur är för låg	Placera apparaten i rumstemperatur en halvtimme före användning
Ånga med ovanlig doft	Vatten finns kvar sedan länge i behållaren	Rengör behållaren och håll i rent, färskt, destillerat eller demineraliserat vatten
Låg intensitet	För mycket/lite vatten i behållaren	Töm (tillsätt) vattnet från (i) behållaren
	Avlagringar i omvandlaren	Rengör omvandlaren
	Vattnet är för kallt	Använd rumstempererat vatten
	Vattnet är inte rent	Rengör behållaren och håll i rent, färskt, destillerat eller demineraliserat vatten
Röd lampa på startknappen	Vattennivån är för låg	Dra ur elsladden till apparaten och fyll på behållaren

Fel	Möjliga orsaker	Lösningar
Onormalt hög ljudnivå	Luftfuktaren är inte placerad på en hård, plan yta	Var noga med att placera luftfuktaren på en hård, plan yta

Tekniska data

- Produktreferens: LA120126
- Strömförsörjning: AC 100-240V, 50-60 Hz
- Mått: 17x17x25.4 cm
- Vikt: 1.34 kg

Råd angående avfallshantering

Förpackningen är tillverkad av material som inte skadar miljön och som kan lämnas till sopstationen i er kommun. Kartongen kan slängas i kärlen för pappersavfall. Förpackningsfilmen skall lämnas till återvinningscentralen i er kommun.

När ni skall kassera apparaten, tänk då på miljön och följ reglerna för avfallshantering.

Begränsad garanti

Lanaform garanterar under en tid av två år från dagen för inköpet att denna produkt inte är behäftad med material- eller tillverkningsfel, utom i nedanstående fall.

Lanaform:s garanti omfattar inte skada som orsakats av normalt slitage av produkten. Dessutom omfattar den garanti som täcker denna produkt från Lanaform inte skada som orsakas av oegentlig, olämplig eller felaktig användning, olyckshändelse, användning av ej godkänt tillbehör, ändring av produkten eller annan omständighet av vad slag det vara må som faller utanför Lanaform:s kontroll.

Lanaform kan inte hållas ansvarigt för följd-, indirekt eller specifik skada.

Varje underförstådd utfästelse som rör produktens lämplighet är begränsad till en tid av två år från dagen för första inköp, så länge ett exemplar av inköpsbeviset kan företes.

Vid mottagandet reparerar eller byter Lanaform efter eget fritt skön din apparat och skickar tillbaka den till dig. Denna garanti gäller endast via Lanaform:s Service Centre. Varje försök att utföra service på denna produkt av annan än Lanaform:s Service Centre gör att denna garanti upphör att gälla.

SV



LANAFORM

H-200C Air Humidifier
LA120126 / LOT 001

Manufacturer & Importer

Lanaform SA

Postal Address

Rue de la Légende, 55
4141 Louveigné, Belgium

+32 4 360 92 91
info@lanaform.com
www.lanaform.com